

SCALA1

230 V 50/60 Hz

Hydraulic - 50 Hz

Pos.	Pump size	3-25	5-25	3-35	3-45	5-55
	Description/kit No	99742569	99775519	99775515	99742572	99742573
3	Final diffuser cap	1	1	1	1	1
4a	Impeller diffuser	2	2	3	3	4
4	Impeller diffuser body	3	3	3	3	3
44	First stage housing	1	1	1	1	1
44a	O-ring	1	1	1	1	1
66	Washer \varnothing 17x1,6 SS	1	1	1	1	1
67	Lock nut, M8	1	1	1	1	1
37	O-ring	1	1	1	1	1
45	Forward bushing for impeller	2	2	3	3	4
45a	Backward bushing for impeller	2	2	3	3	4
45b	Impeller spacer	1	1			

Motor

Pos.	Pump size	3-25	5-25	3-35	3-45	5-55
	Description/kit No		99743077		99743135	99743138
150	Motor complete		1		1	1
37	O-ring		1		1	1
52	O-ring		1		1	1
53	O-ring		1		1	1
44a	O-ring		1		1	1

Pressure switch

Pos.	Pump size	3-25	5-25	3-35	3-45	5-55
	Description/kit No	99742575		99742576	99742578	99742580
174a	Pressure switch w. cable cpl.	1		1	1	1
174b	O-ring	1		1	1	1

North America (115V / 230V - 60 Hz)

Hydraulic - 60 Hz

Pos.	Pump size	3-25	5-25	3-35	3-45	5-55
	Description/kit No	99742537	99742567	99742570	99742568	99775515
3	Final diffuser cap	1	1	1	1	1
4a	Impeller diffuser	2	2	2	3	3
4	Impeller diffuser body	3	3	3	3	3
44	First stage housing	1	1	1	1	1
44a	O-ring	1	1	1	1	1
66	Washer \varnothing 17x1,6 SS	1	1	1	1	1
67	Lock nut, M8	1	1	1	1	1
37	O-ring	1	1	1	1	1
45	Forward bushing for impeller	2	2	2	3	3
45a	Backward bushing for impeller	2	2	2	3	3
45b	Impeller spacer	1	1	1		

Fitting NPT1 and union, composite

Pos.	Description/kit No	99742583
100	Union nut 2"	1

Pos.	Description/kit No	99742583
100a	Fitting NPT1	1
100b	O-ring D40.0 x 4.00	1

Motor

Pos.	Pump size	3-25	5-25	3-35	3-45	5-55
	Description/kit No		99743139		99743140	99743141
150	Motor complete		1		1	1
37	O-ring		1		1	1
52	O-ring		1		1	1
53	O-ring		1		1	1
44a	O-ring		1		1	1

Capacitor, spare - 230V, 50/60Hz

Pos.	Pump size	3-25	5-25	3-35	3-45	5-55
	Description/kit No		99743297		99743974	99744020
	Capacitor 10 µF.	•	•	•		
161	Capacitor 12.5 µF				•	
	Capacitor 16 µF					•

Capacitor, spare - 115V, 60Hz

Pos.	Pump size	3-25	5-25	3-35	3-45	5-55
	Description/kit No		99744023			99743298
161	Capacitor 35 µF.	•	•	•	•	
	Capacitor 50 µF					•

Drain plugs

Pos.	Description/kit No	99743157
169a	Condensate discharge cup	2
169	Rear plug	1

Drain plug, bulk

Pos.	Description/bulk No	99016065
7	Drain plug	10

Fitting R1 and union, composite

Pos.	Description/kit No	99742585
100	Union nut 2"	1
100a	Fitting R1	1
100b	O-ring D40.0 x 4.00	1

O-ring

Pos.	Description/kit No	99742581
11a	O-ring	1
100b	O-ring	2
65b	O-ring	1
178a	O-ring	1
174b	O-ring	1
44a	O-ring	1
37	O-ring	1
150b	O-ring	1
53	O-ring	1
52	O-ring	1

O-ring, SCALA1 5-55

Pos.	Description/kit No	99755211
11a	O-ring	1
100b	O-ring	2
65b	O-ring	1
178a	O-ring	1

Pos.	Description/kit No	99755211
174b	O-ring	1
44a	O-ring	1
37	O-ring	1
150b	O-ring	1
53	O-ring	1
52	O-ring	1

O-ring for drain plug, bulk

Pos.	Description/bulk No	99743300
11a	O-ring	10

Plugs and valves

Pos.	Description/kit No	99743153
65a	Non-return valve discharge, complete.	1
65b	O-ring	1
7	Drain plug	1
11a	O-ring	1

Printed Circuit Board (PCB) - 230 V

Pos.	Description/kit No	99779291
181	PCB	1
181b	Lower enclosure	1

Printed Circuit Board (PCB) - 115 V

Pos.	Description/kit No	99779331
181	PCB	1
181b	Lower enclosure	1

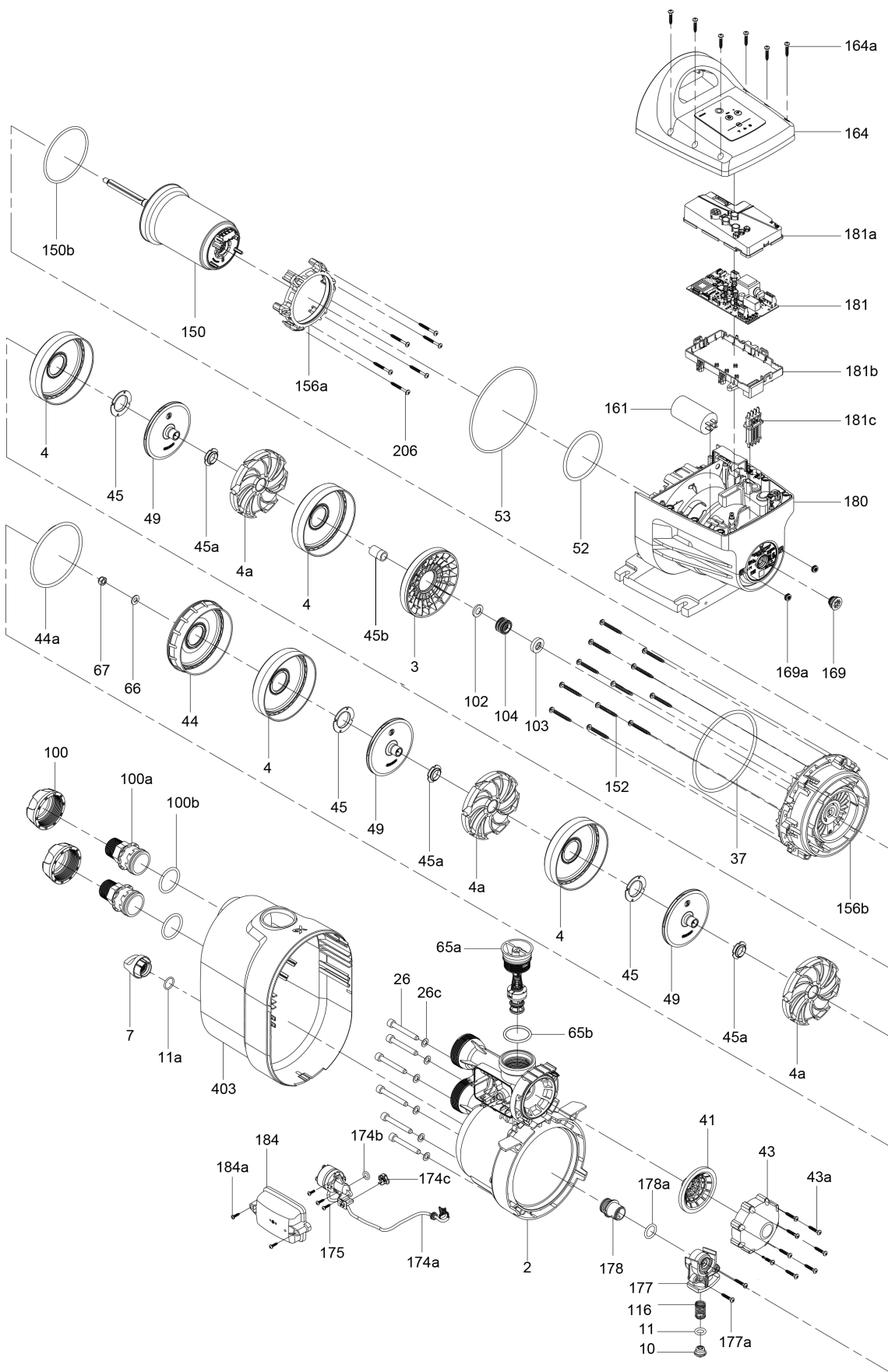
Shaft seal

Pos.	Description/kit No	99742574
103	Shaft seal, stationary part	1
104	Shaft seal, rotating part	1
44a	O-ring	1
37	O-ring	1

Spare parts

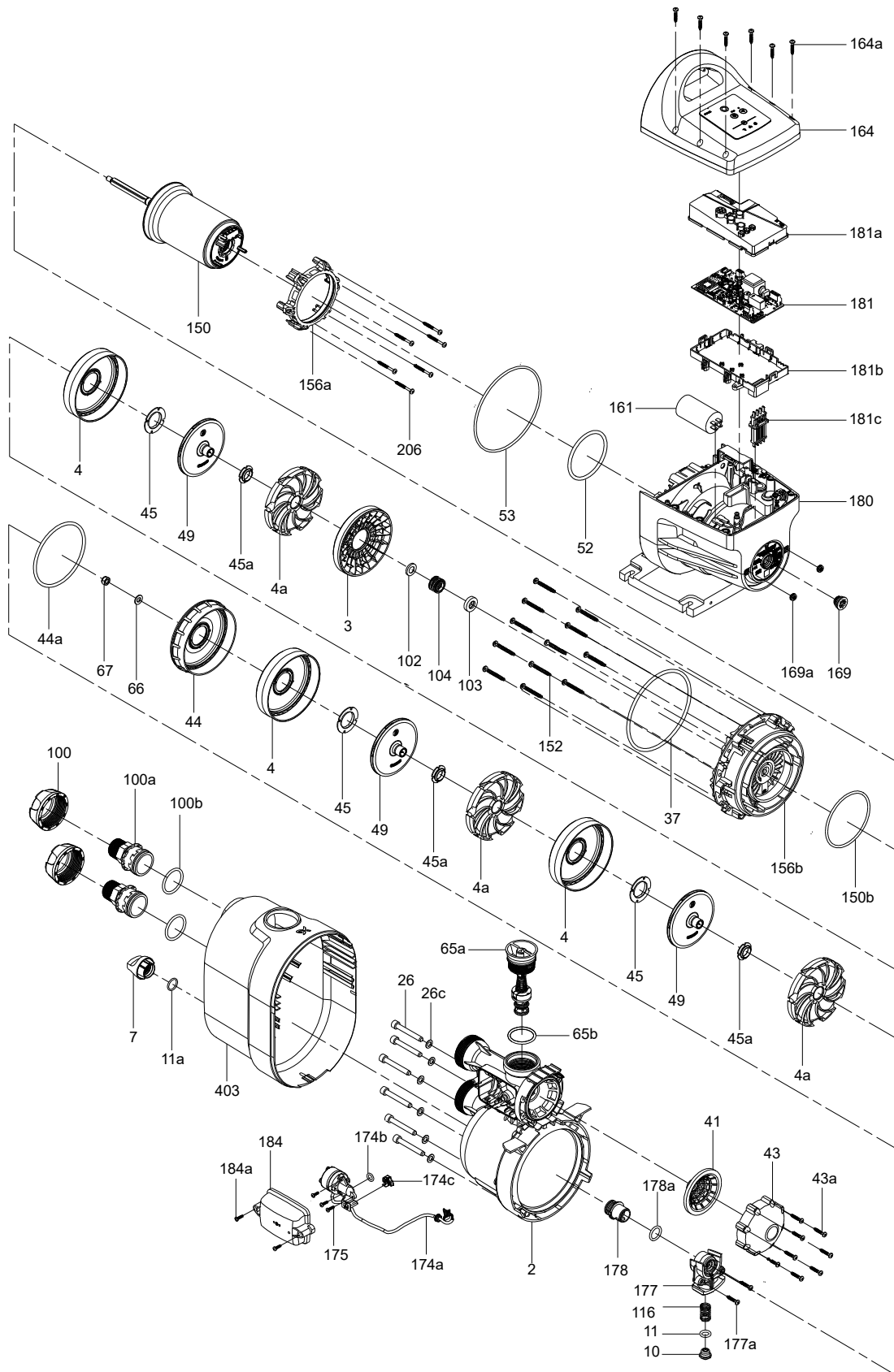
Pos.	Description	Pump size	Product no.
181c	Connection module	3-25	99743166
		3-35	
		3-45	
		5-25	
		5-55	
156b	Motor stool	3-25	99743291
		3-35	
		3-45	
		5-25	
		5-55	
180	Stator house	3-25	99743293
		3-35	
		3-45	
		5-25	
		5-55	
2	House for connection module		99743295
164	Terminal cover		99743296
41	Membrane for pressure tank		99743164

SCALA1 3-25, 5-25



TM075873

SCALA1 3-35, 3-45, 5-55



TM075294