

24. DP, EF

50/60 Hz

Clamp

| Pos. | Description | Frame A | Frame B/C |
|------|-------------|----------|-----------|
| 92 | Kit No | 96592050 | 96592054 |

Impeller

| Pos. | Description | EF | | | | DP | | |
|------|-------------|----------|----------|----------|----------|----------|----------|----------|
| | | 0.6 kW | 0.9 kW | 1.1 kW | 1.5 kW | 0.9 kW | 1.5 kW | 2.6 kW |
| | | 96115101 | 96115109 | 96115102 | 96115103 | 96115104 | 96115105 | 96115106 |
| 9a | Key | 1 | 1 | 1 | 1 | 1 | 1 | 1 |
| 49 | Impeller | 1 | 1 | 1 | 1 | 1 | 1 | 1 |
| 188a | Screw | 1 | 1 | 1 | 1 | 1 | 1 | 1 |

O-ring

| Pos. | Description | 0.6 - 1.5 kW | | 2.6 kW | |
|------|---------------------------|--------------|----------|----------|----------|
| | | NBR | FKM | NBR | FKM |
| | | Kit No | 96115107 | 96646049 | 96115108 |
| 26a | O-ring | 1 | 1 | 1 | 1 |
| 37 | O-ring | 1 | 1 | 1 | 1 |
| 37a | O-ring | 2 | 2 | 2 | 2 |
| 102 | O-ring | 2 | 2 | 2 | 2 |
| 107 | O-ring | 1 | 1 | 1 | 1 |
| 159 | O-ring | 1 | 1 | 1 | 1 |
| 185 | O-ring | 1 | 1 | 1 | 1 |
| 187 | O-ring | 1 | 1 | 1 | 1 |
| 194 | Sealing washer | 2 | 2 | 2 | 2 |
| 198 | O-ring | 1 | 1 | 1 | 1 |
| - | O-ring 135 x 4 (not used) | 1 | - | - | - |

Shaft seal

| Pos. | Description | 0.9-1.5 kW | | 2.6 kW | |
|------|----------------------|------------|----------|----------|----------|
| | | BQQP | BQQV | BQQP | BQQV |
| | | Kit No | 96106536 | 96645161 | 96076123 |
| 9a | Key | 1 | 1 | 1 | 1 |
| 58 | Shaft seal retainer | 1 | 1 | | |
| 66 | Lock washer | 1 | 1 | 1 | 1 |
| 105a | Shaft seal cartridge | 1 | 1 | 1 | 1 |
| 106 | O-ring | - | - | 2 | 2 |
| 107 | O-ring | 2 | 2 | 1 | 1 |
| 112a | Retaining ring | - | - | 1 | 1 |
| 153a | Retaining ring | - | - | 1 | 1 |
| 188a | Screw M8 x 25 | 1 | 1 | 1 | 1 |
| 194 | Sealing washer | 2 | 2 | 2 | 2 |

SmartSeal

| Pos. | Description | DN 65 | | DN 65/80 | | |
|------|--------------------------|-------------|----------|----------|----------|----------|
| | | Rubber type | NBR | FKM | NBR | FKM |
| | | Kit No | 96575022 | 96659160 | 96575023 | 96659161 |
| - | SmartSeal for guide shoe | 1 | 1 | 1 | 1 | |

Sphere for hook-up

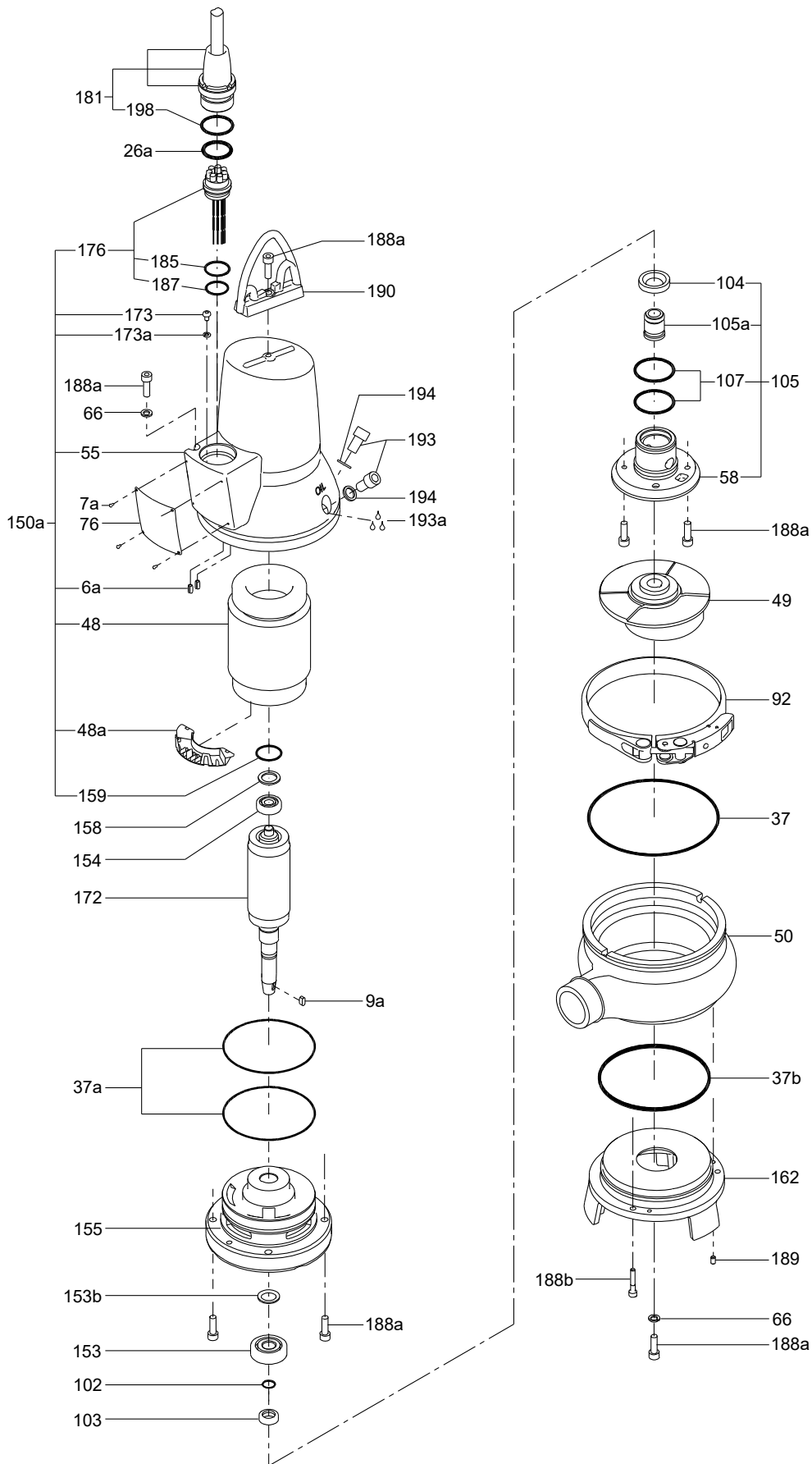
| Description | | DN 50/Rp 2 | |
|-------------|--------------------|------------|----------|
| Pos. | Rubber type | NBR | FKM |
| | Kit No | 96592034 | 96657778 |
| - | Sphere for hook-up | 1 | 1 |

Upper guide rail holder

| Description | | DN 65/80 | |
|-------------|-------------------------|----------|--|
| Pos. | Kit No | | |
| - | Upper guide rail holder | 1 | |

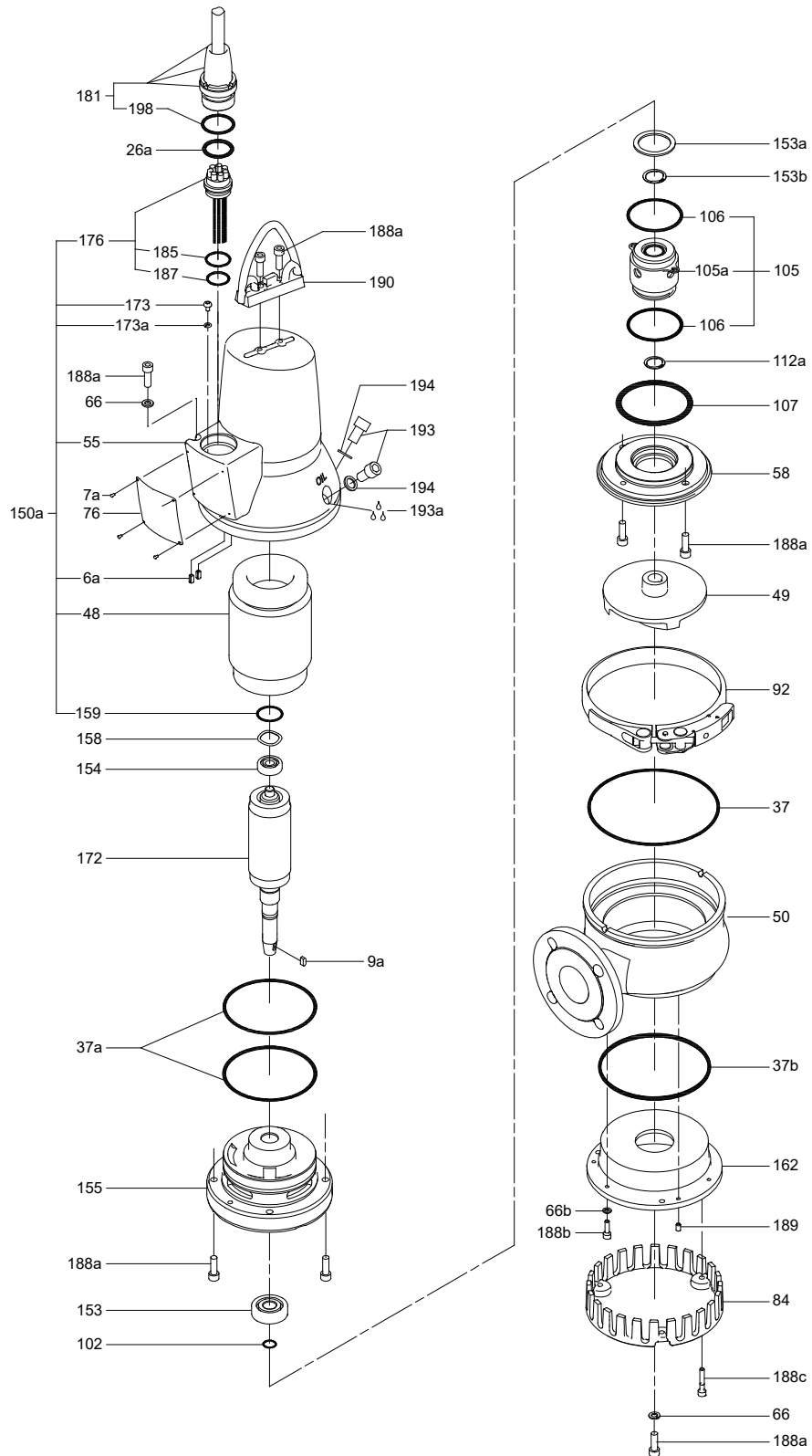
EF

DP, EF



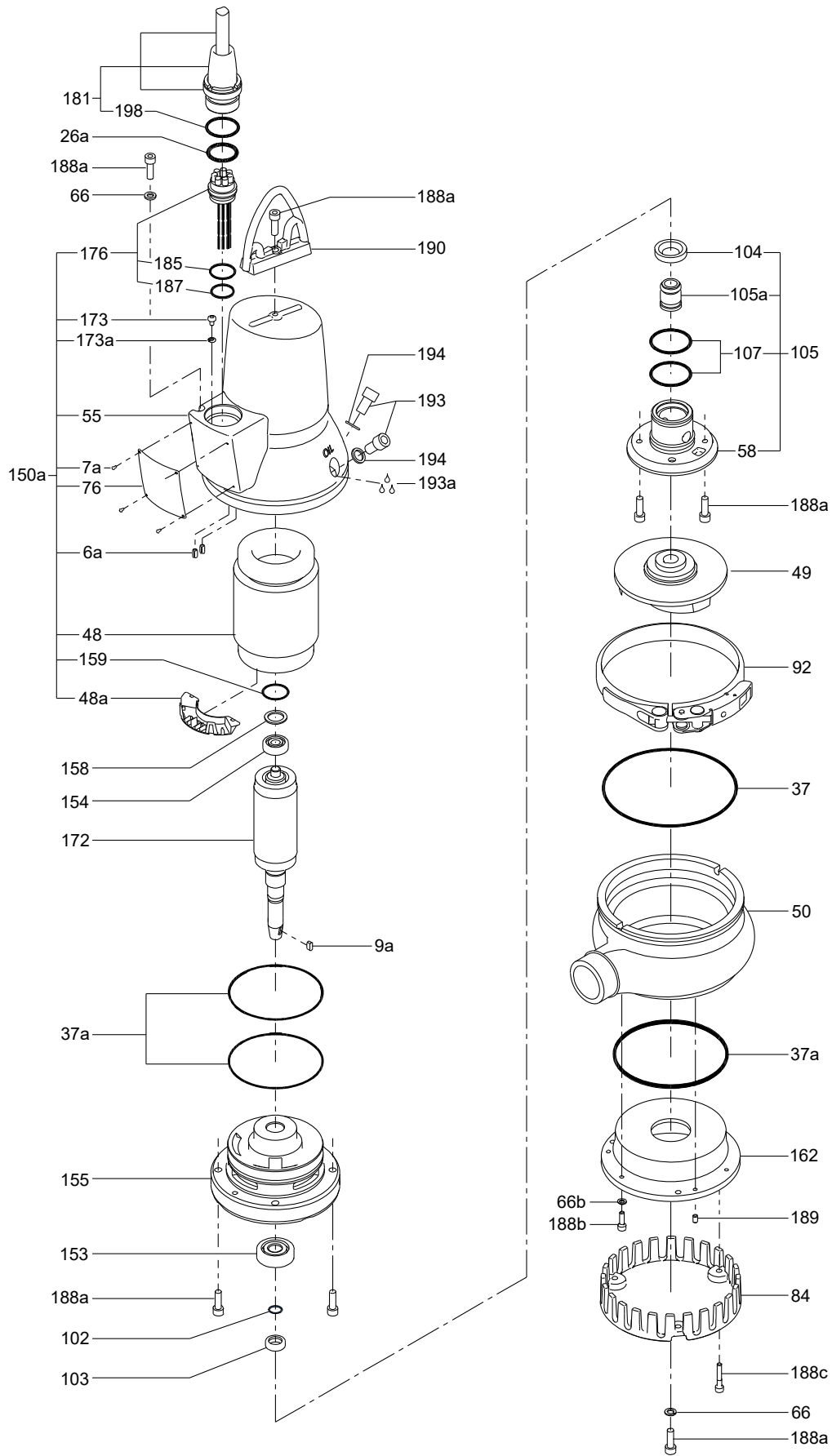
TM027362

DP 2.6 kW



TM027232

DP 0.9, 1.5 kW



TM027229

Bearing

| Pos. | Description | Frame | A | B/C |
|------|-------------|--------|----------|----------|
| | | Kit No | 98682345 | 96690707 |
| 153 | Bearing | | 1 | 1 |
| 154 | Bearing | | 1 | 1 |

Cable

| Pos. | Description | Length | 10 | | 15 | | 20 | | 25 | |
|------|-------------|--------|----------|----------|----------|----------|----------|----------|----------|----------|
| | | Type | Standard | Ex | Standard | Ex | Standard | Ex | Standard | Ex |
| 181 | Cable | | 96591649 | 96689976 | 96659473 | 96689977 | 96591660 | 96689978 | 96689953 | 96689979 |

Guide shoe

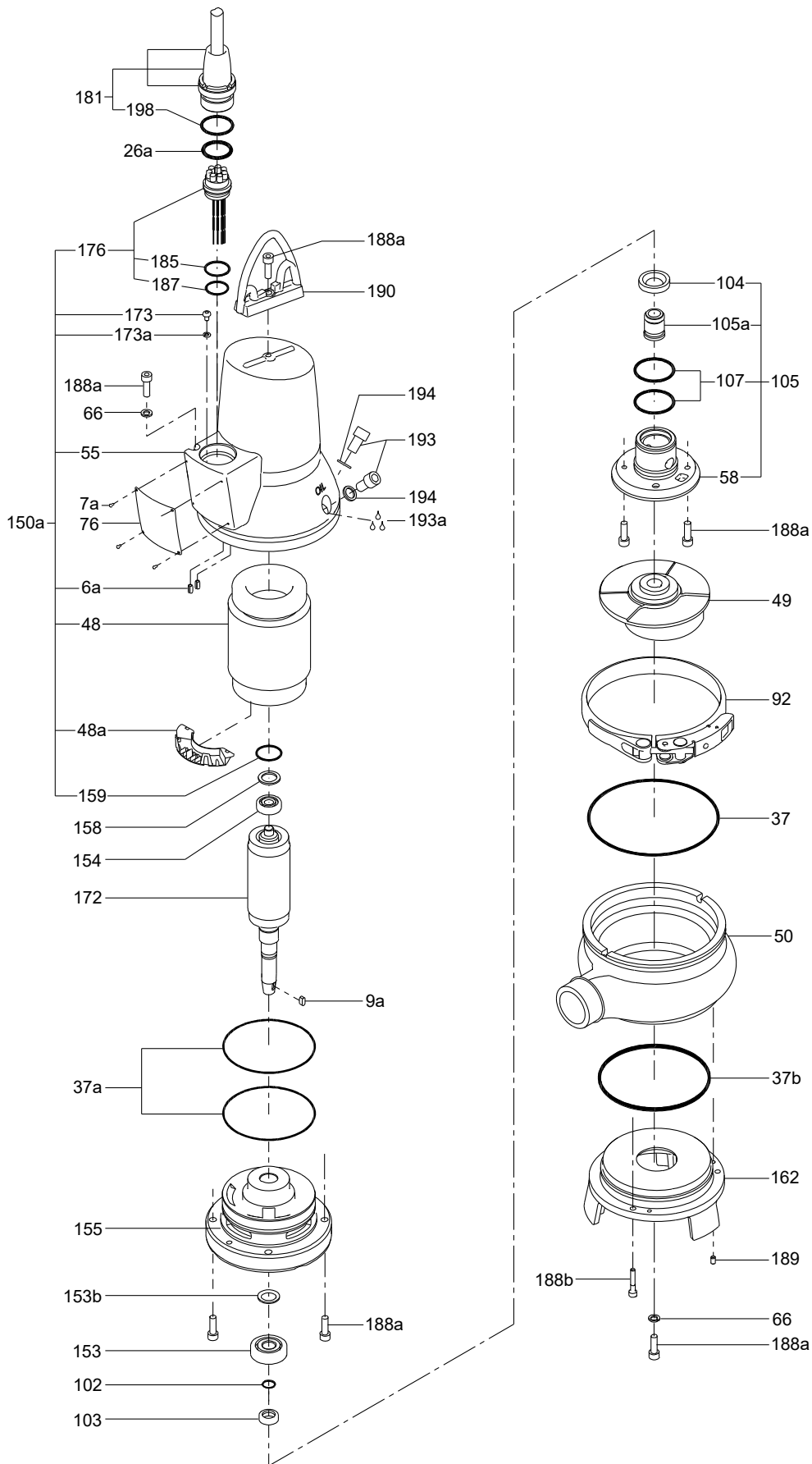
| Pos. | Description | DN 65 | | | | DN 65/80 | | | |
|------|----------------------------|--------|----------|----------|----------|----------|--|-----|--|
| | | NBR | | FKM | | NBR | | FKM | |
| | | Kit No | 96692327 | 96692330 | 96692331 | 96692332 | | | |
| - | Rubber seal for guide shoe | 1 | | 1 | | 1 | | 1 | |
| - | Guide shoe | 1 | | 1 | | 1 | | 1 | |

Lifting bracket

| Pos. | Description | Frame | A | B/C |
|------|-----------------|--------|----------|----------|
| | | Kit No | 96690420 | 96690428 |
| 188a | Screw | | 1 | 2 |
| 190 | Lifting bracket | | 1 | 1 |

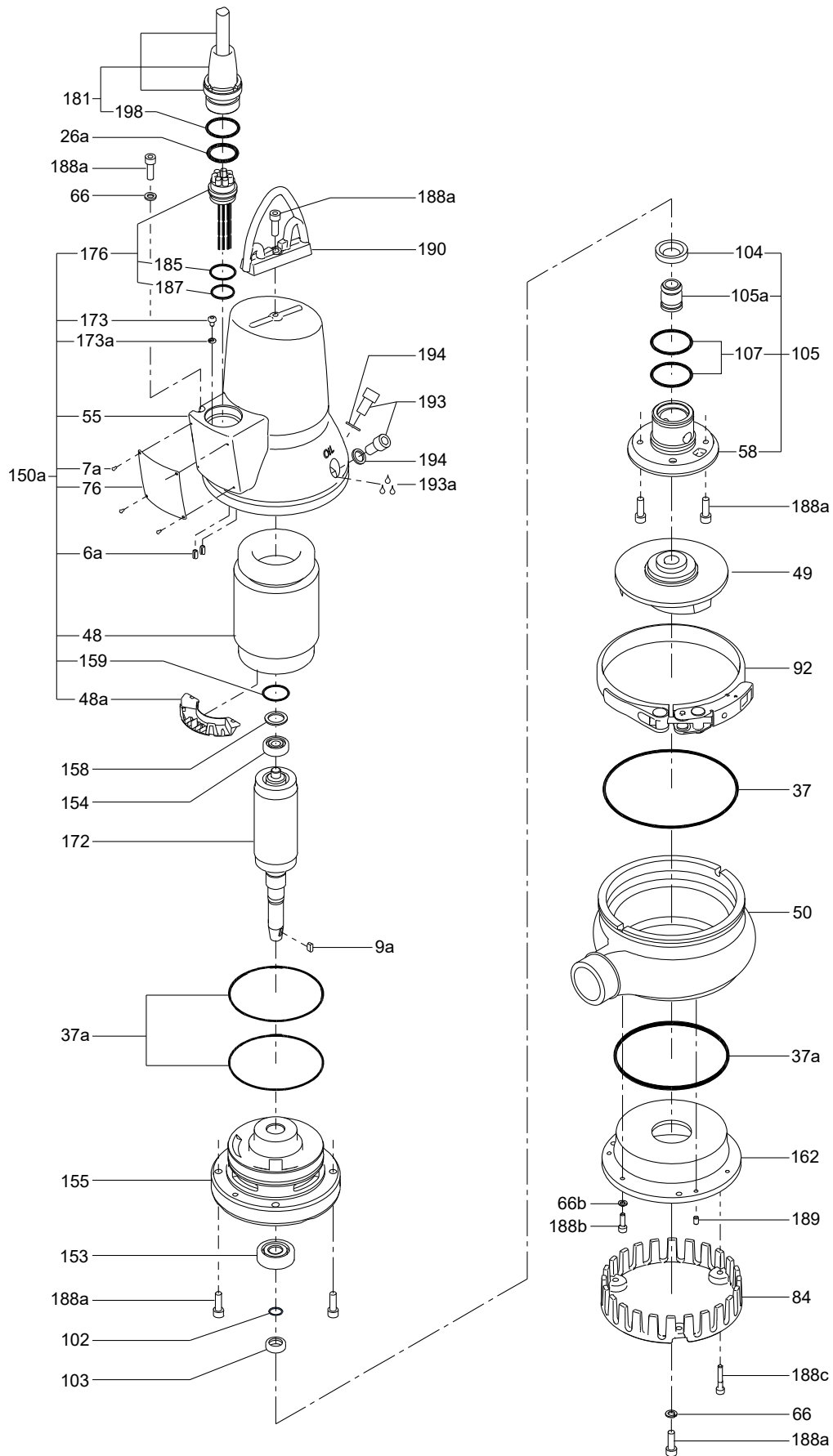
EF

DP, EF



TM027362

DP 0.9, 1.5 kW



TM027229

96488862 06.2022

GRUNDFOS Holding A/S
Poul Due Jensens Vej 7
DK-8850 Bjerringbro
Tel: +45 87 50 14 00
www.grundfos.com

GRUNDFOS 