

1. SE, SL

50/60 Hz (DIN and US)

Cable

Pos.	Description	Cable length [m (ft)]				
		10 (n/a)	15 (49)	25 (82)	30 (98)	50 (164)
	Cable type					
	7 x 4 + 5 x 1.5 mm ²	98119436	98119438	98119439	98119440	98119441
181	7 x 6 + 5 x 1.5 mm ²	98119430	98119431	98119432	98119433	98119435
	7 x 10 + 5 x 1.5 mm ²	98119425	98119426	98119427	98119428	98119429

Cable EMC

Pos.	Description	Cable length [m (ft)]				
		10 (n/a)	15 (49)	25 (82)	30 (98)	50 (164)
	Cable type					
	3 x 6 + 5 x 1 mm ²	98119420	98119421	98119422	98119423	98119424
181	3 x 10 + 5 x 1 mm ²	98119414	98119415	98119416	98119417	98119418
	3 x 16 + 5 x 1 mm ²	98119398	98119399	98119411	98119412	98119413

Cable entry

Pos.	Description	1.4408	1.4517	1.4408	1.4517	1.4408
		Standard		Ex.		FM
		Kit No	99485578	98119392	99485579	98119394
157d	O-ring	1	1	1	1	1
168	Cable entry	1	1	1	1	1
168a	Cable entry lower	1	1	1	1	1
168b	Cover for connector	1	1	1	1	1
176a	Terminal block	1	1	1	1	1
176c	Plug housing	1	1	1	1	1
181a	Screw	2	2	2	2	2
198a	Washer	1	1	1	1	1
198b	Washer	1	1	1	1	1
198c	Disc spring	4	4	4	4	3
-	Connector pin	5	5	5	5	5
-	Connector terminal	5	5	5	5	5
-	Connector housing	7	7	7	7	7
-	Connector housing screw	14	14	14	14	14
-	Heat shrink sleeve	1	1	1	1	1

Cable entry gasket

Pos.	Description	DIN [mm]		US [in]
		Ø23.5-28	Ø17-24	Ø0.9-1.1
		Kit No	98119395	98119396
198	Rubber seal	1	1	1

Impeller

Pos.	Description
49	See Grundfos Product Center

Impeller fastening kit

Pos.	Description/Kit No	98120686
66	Washer	1
67	Screw	1

Adjusting screw

Pos.	Description/Kit No	98120687
12c	Adjusting screw	3

Bearing

Pos.	Description	Upper bearing	Lower bearing
		Kit No	98119104
153	Ball bearing	-	1
154	Ball bearing	1	-
187	Lock washer	-	1
187a	Washer	-	1

Plug set

Pos.	Description	98142061
193	Plug N 3/8	5

Pump housing

Pos.	Description
50	See Grundfos Product Center

Moisture switch

Pos.	Description	96256056
520	Moisture switch	1
-	Adjusting gauge	1
-	Connector 1.5	2
-	Connector 2.5	2
-	Connector AMP	2

Level switch

Pos.	Description	92901500
521	Level switch	1

Leakage switch (for Ex pumps)

Pos.	Description	98794478
521	Leakage switch	1

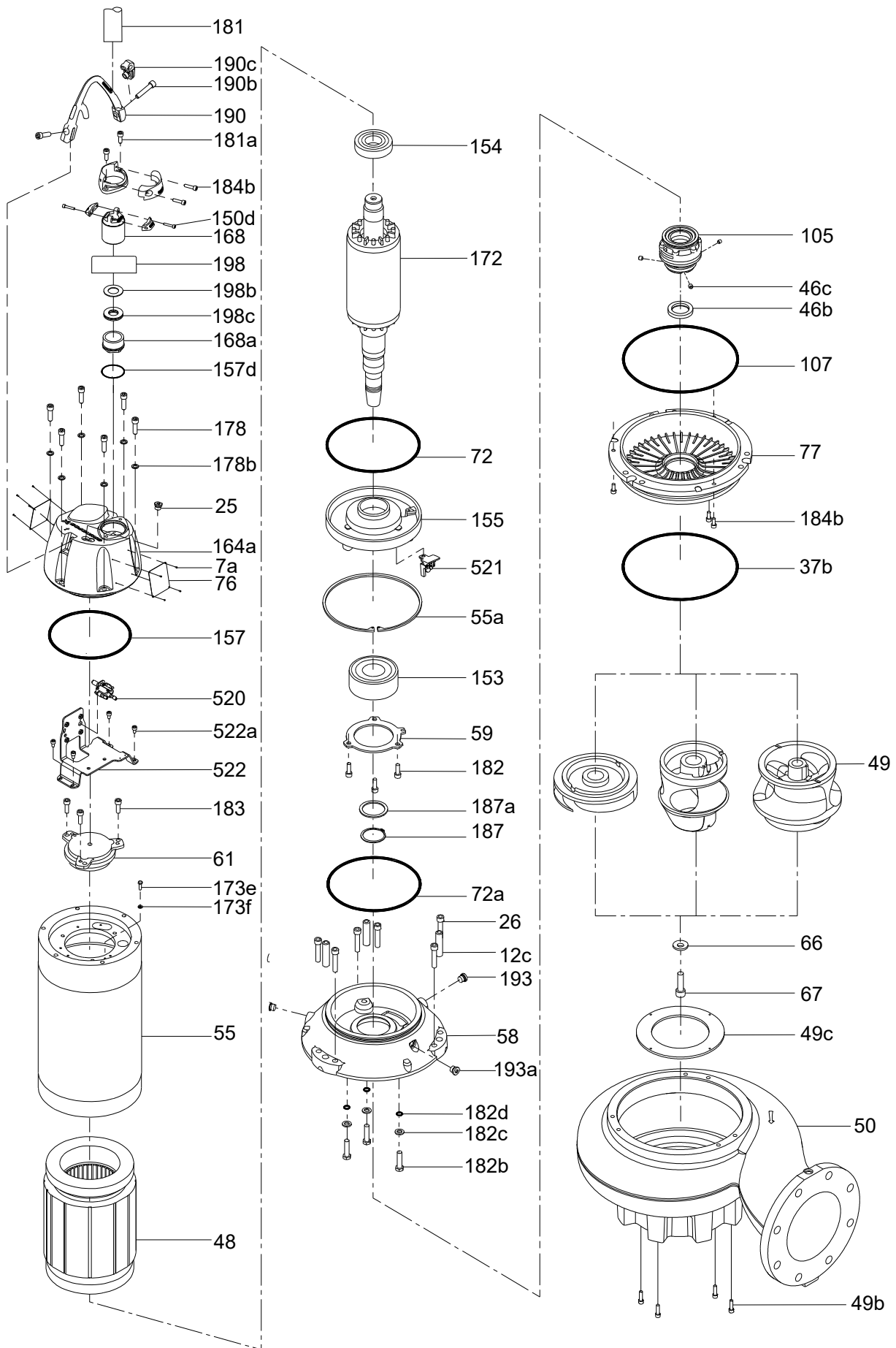
Wear ring

Pos.	
49c	See Grundfos Product Center

Absorbent bag

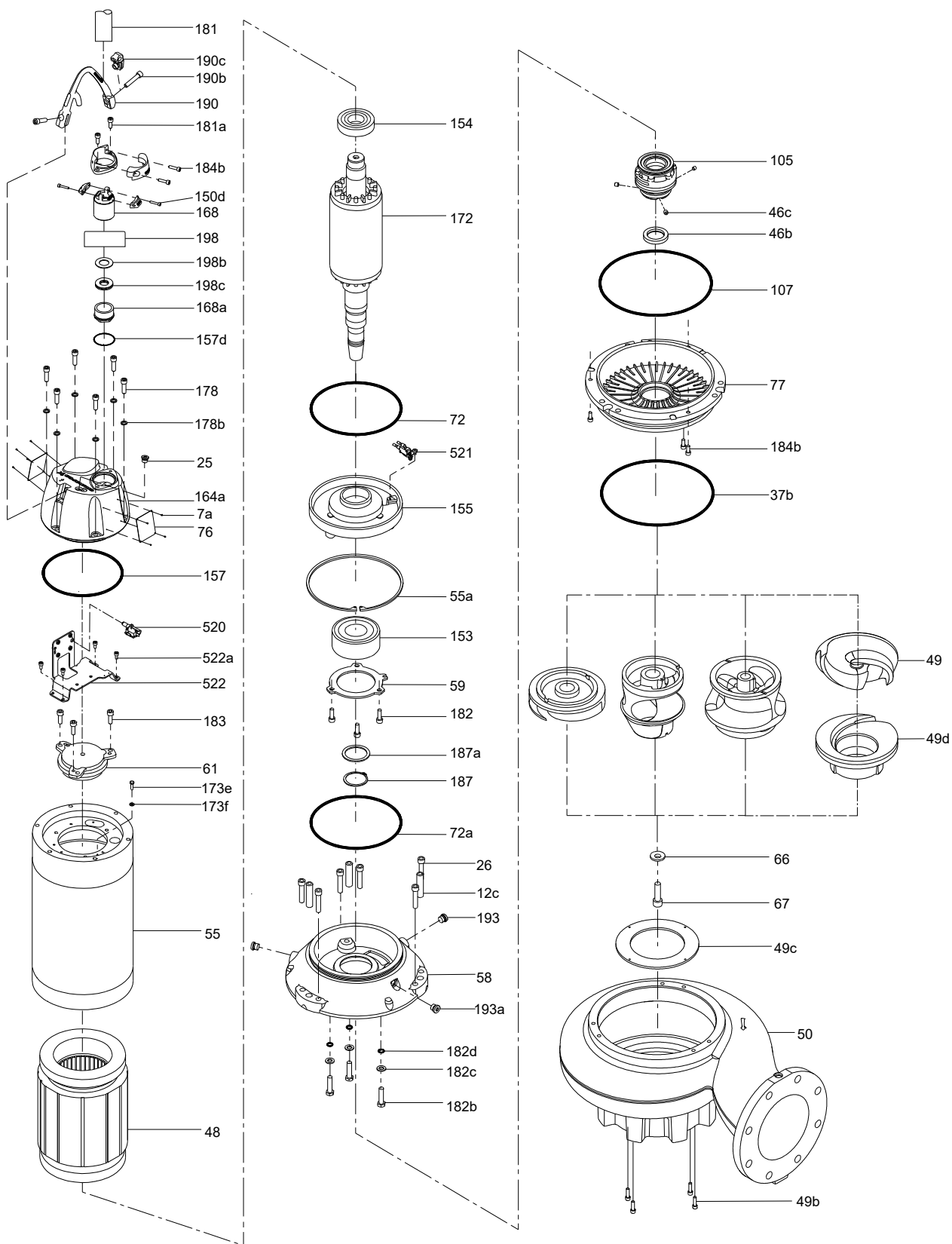
Pos.	Description/Kit No	97567451
760	Absorbent bag (zeolite)	2

SLV, SL, SL1, SL2 pumps, 2-4 poles



TM075456

SLV Ex, SL Ex, SL1 Ex, SL2 Ex pumps, 2-4 poles



TM075457

O-ring set for motor

Pos.	Installation type		S		C, D and H	
	Rubber type		NBR	FKM	NBR	FKM
	Description/Kit No		98119448	98119449	98119450	98119451
37a	O-ring	307.0 x 4.0	-	-	2	2
37b	O-ring	309.3 x 5.7	1	1	1	1
		359.3 x 5.7	1	1	1	1
72	O-ring	255.0 x 4.0	1	1	1	1
72a	O-ring	239.3 x 5.7	1	1	1	1
106	O-ring	105.0 x 4.0	-	-	1	1
107	O-ring	309.3 x 5.7	1	1	1	1
157	O-ring	209.3 x 5.7	1	1	1	1
157b	O-ring	279.3 x 5.7	-	-	1	1
157c	O-ring	299.3 x 5.7	-	-	2	2
157d	O-ring	65.0 x 5.0	1	1	1	1
182d	O-ring	12.0 x 2.5	3	3	3	3

Shaft seal

Pos.	Description	Pole		
		2	4	6
		Material		
	Kit no	92773081	92773089	92773173
105	Shaft seal	1	1	1

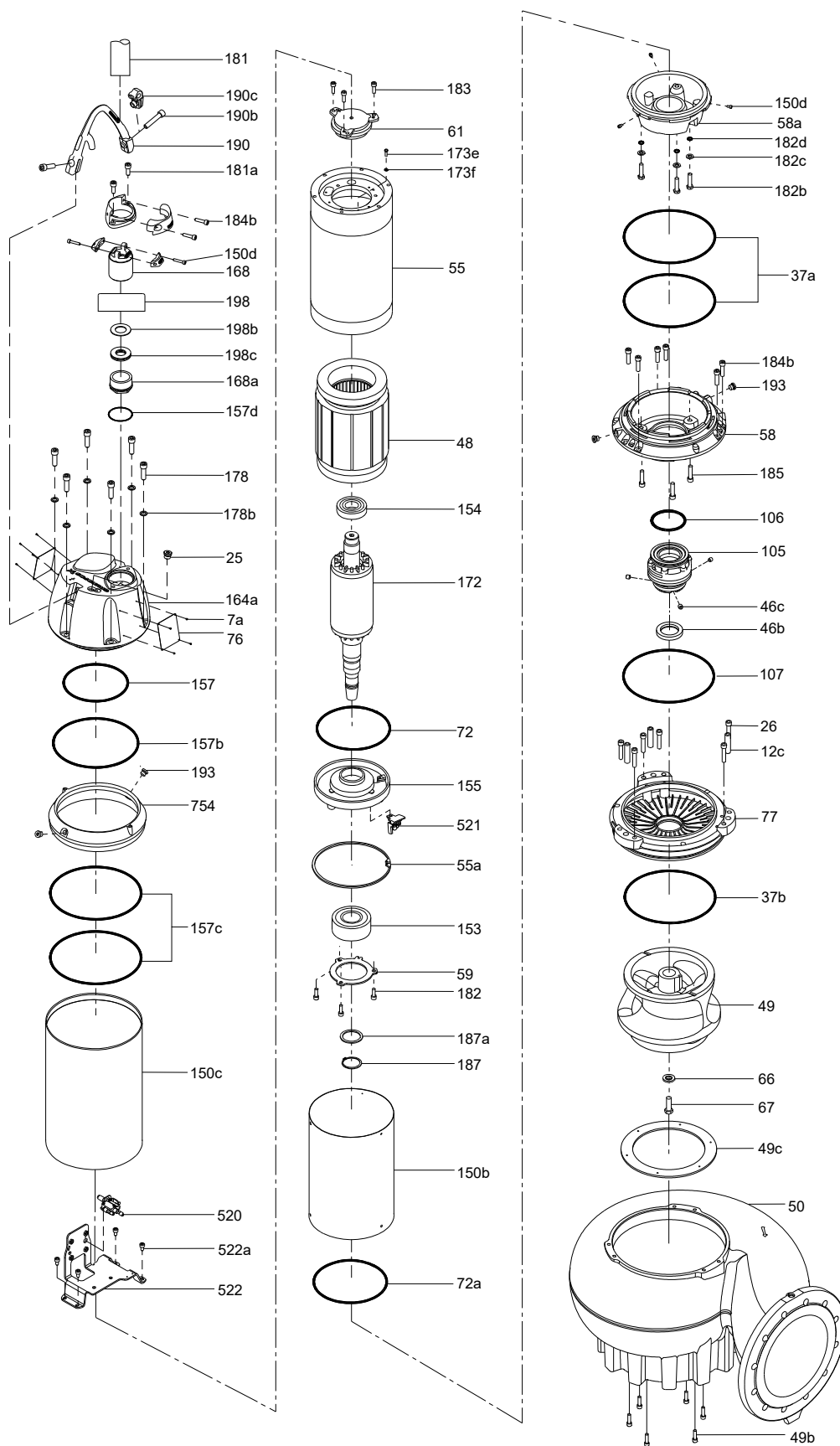
Shaft with rotor

Pos.	Pole	4								
		4	4	2	2	2	6	4	4	2
		kW (hp)	11 (15)	15 (20)	15 (20)	18 (25)	22 (30)	15 (20)	11 (15)	15 (20)
	Kit No	98119125	98119127	98119139	98119140	98119151	98119154	98119155	98119157	98119158
172	Shaft with Rotor	1	1	1	1	1	1	1	1	1

Shaft with rotor (Ex)

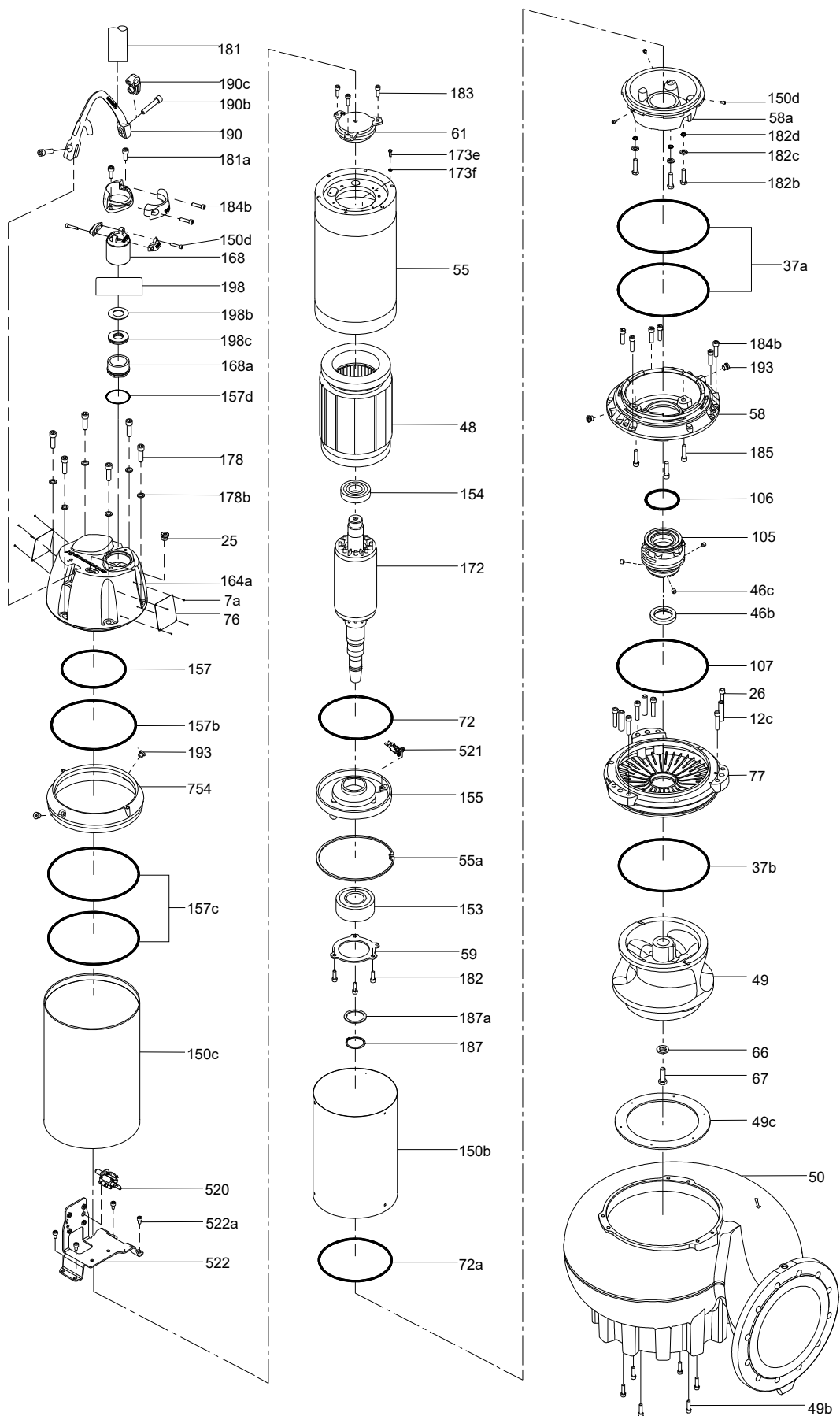
Pos.	Pole	4					
		4	4	2	2	2	6
		kW (hp)	11 (15)	15 (20)	15 (20)	18.5 (25)	22 (30)
	Kit No	98119155	98119157	98119158	98119159	98119161	98119162
172	Shaft w. Rotor	1	1	1	1	1	1

SE2 pumps, 6 poles



TM075458

SE2 Ex pumps, 6 poles



TM075459

Pump housing

For E-hydraulic, 50 Hz pumps only

Pos.	Description/Kit No	99349067	99349066
		small	large
26	Screw	6	6
50	Pump housing	1	1
-	Washer	6	6

Impeller

For E-hydraulic

Pos.	Description	Type	50 Hz				60 Hz
		Power	11 kW	13 kW	16 kW	18 kW	22 kW
		Kit No	99349068	99349069	99349070	99349071	99349069
49	Impeller		1	1	1	1	1
66	Screw		1	1	1	1	1
67	Washer		1	1	1	1	1

Upgrade kit

For E-hydraulic, 50 Hz pump only

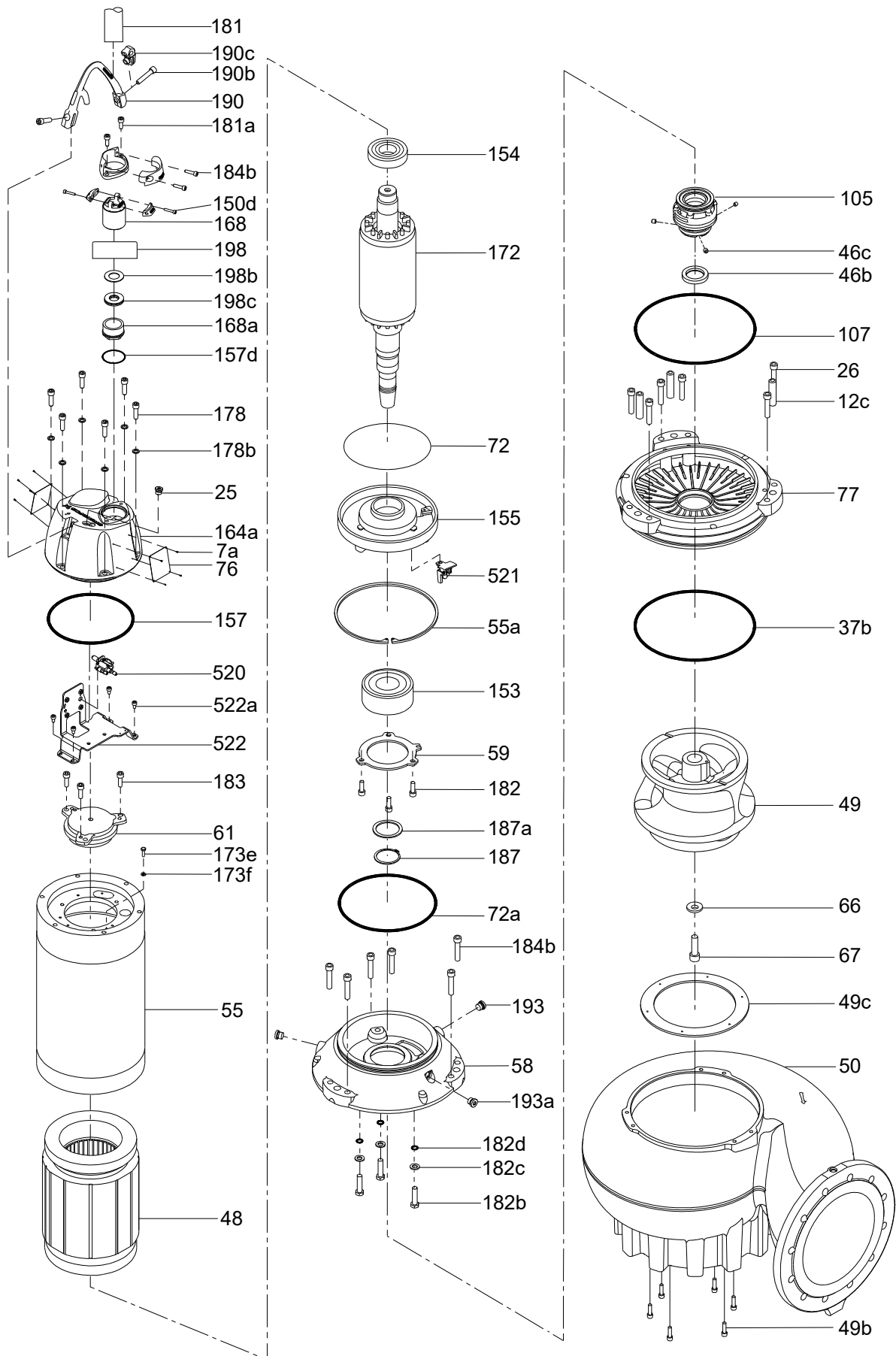
Pos.	Description	Power	11 kW	13 kW	16 kW	18 kW
		Kit No	99349072	99349073	99349074	99349075
26	Screw		6	6	6	6
26c	Washer		6	6	6	6
37b	O-ring	309.3 x 5.7	1	1	-	-
		359.3 x 5.7	-	-	1	1
49	Impeller		1	1	1	1
50	Pump housing		1	1	1	1
66	Washer		1	1	1	1
67	Screw		1	1	1	1
77	Seal housing		1	1	1	1
184b	Screw		6	6	6	6
184c	Washer		6	6	6	6

Wear ring

For E-hydraulic

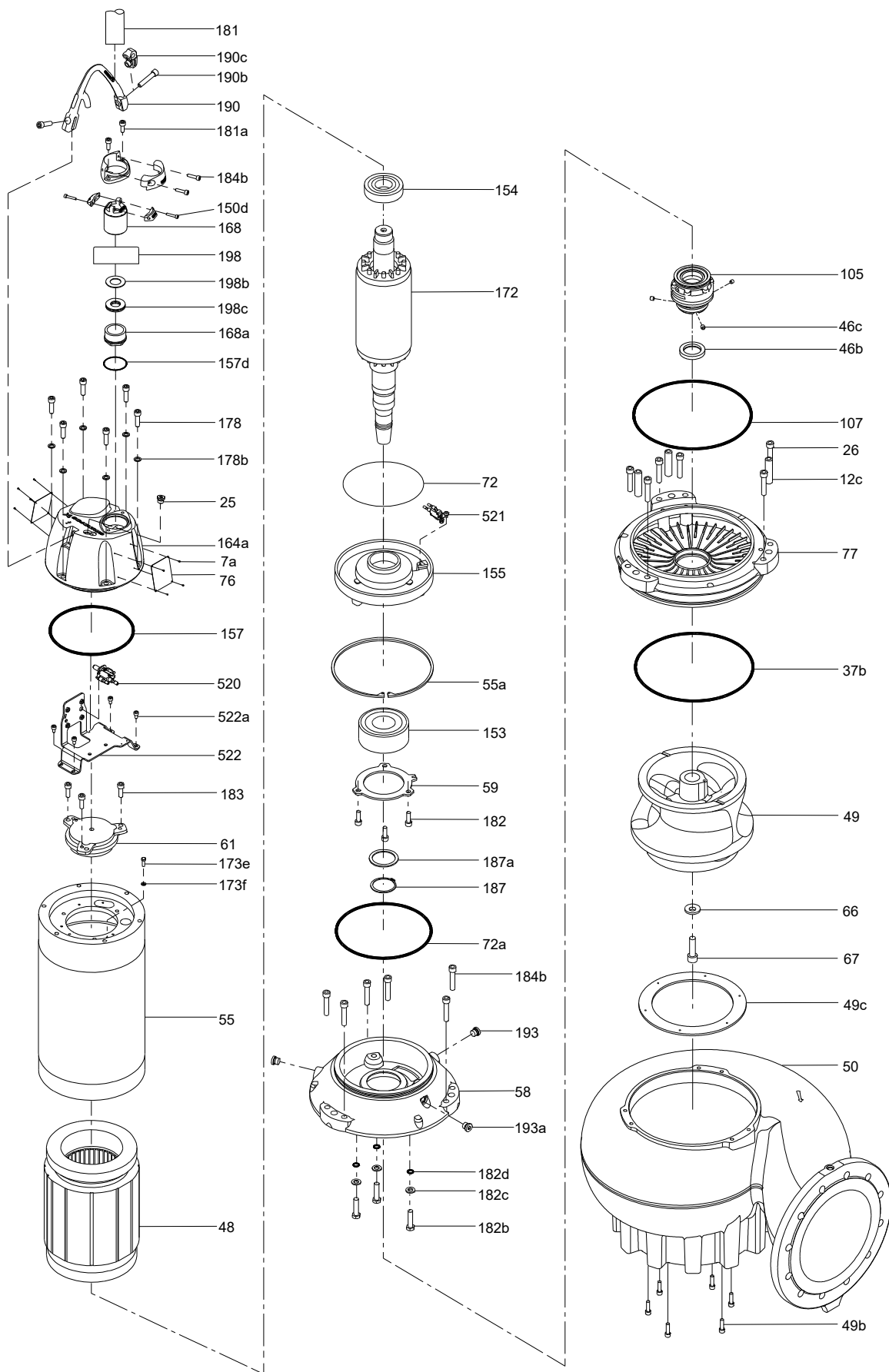
Pos.	Description	Hydraulic	E	L	M	H	S
		Pole	6	4	4	4	2
		Kit No	99260100	99226944	96226928	99226926	99226924
49b	Screw		6	5	4	3	3
49c	Wear ring		1	1	1	1	1

SL2 pumps, 6 poles



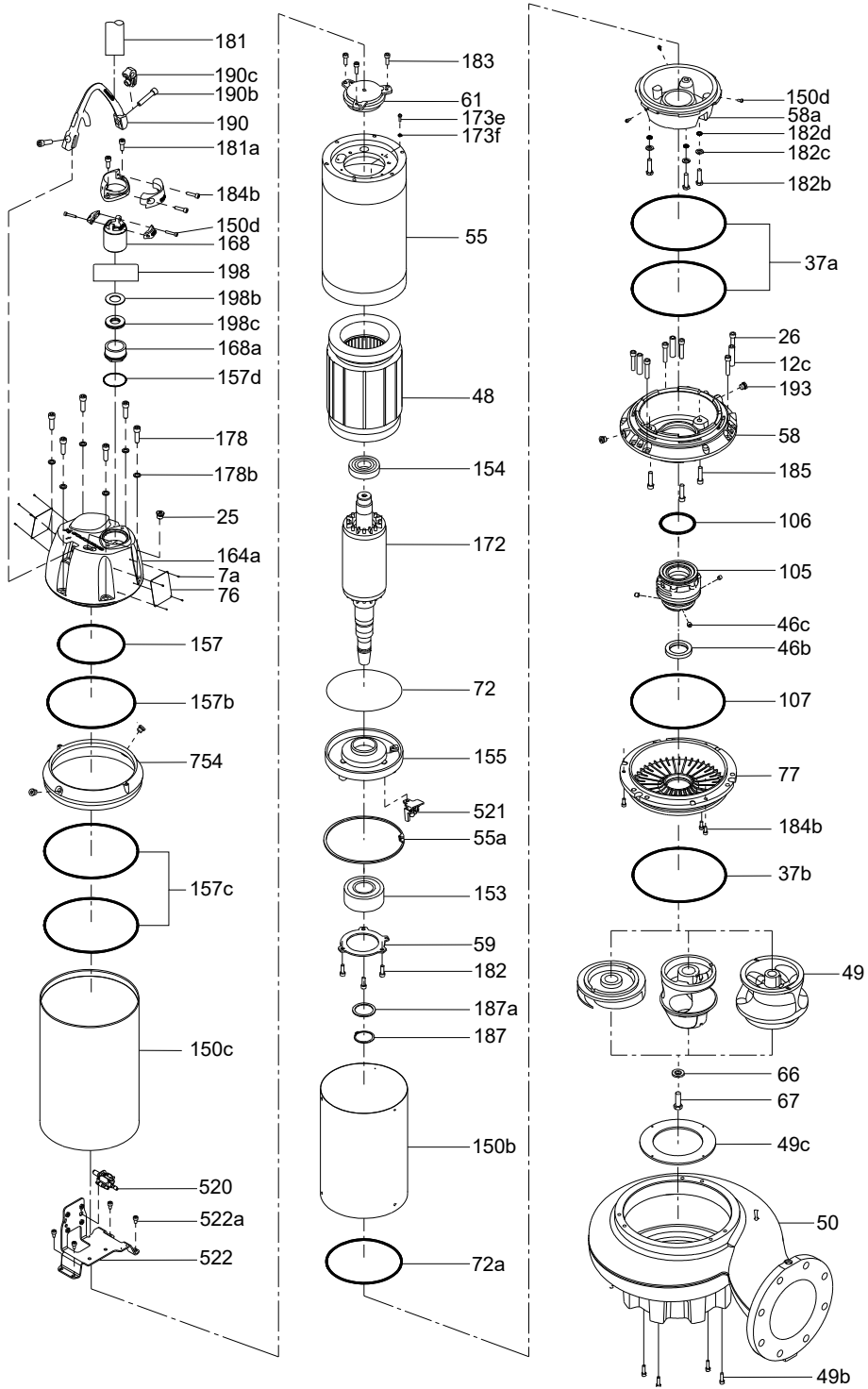
TM075460

SL2 Ex pumps, 6 poles



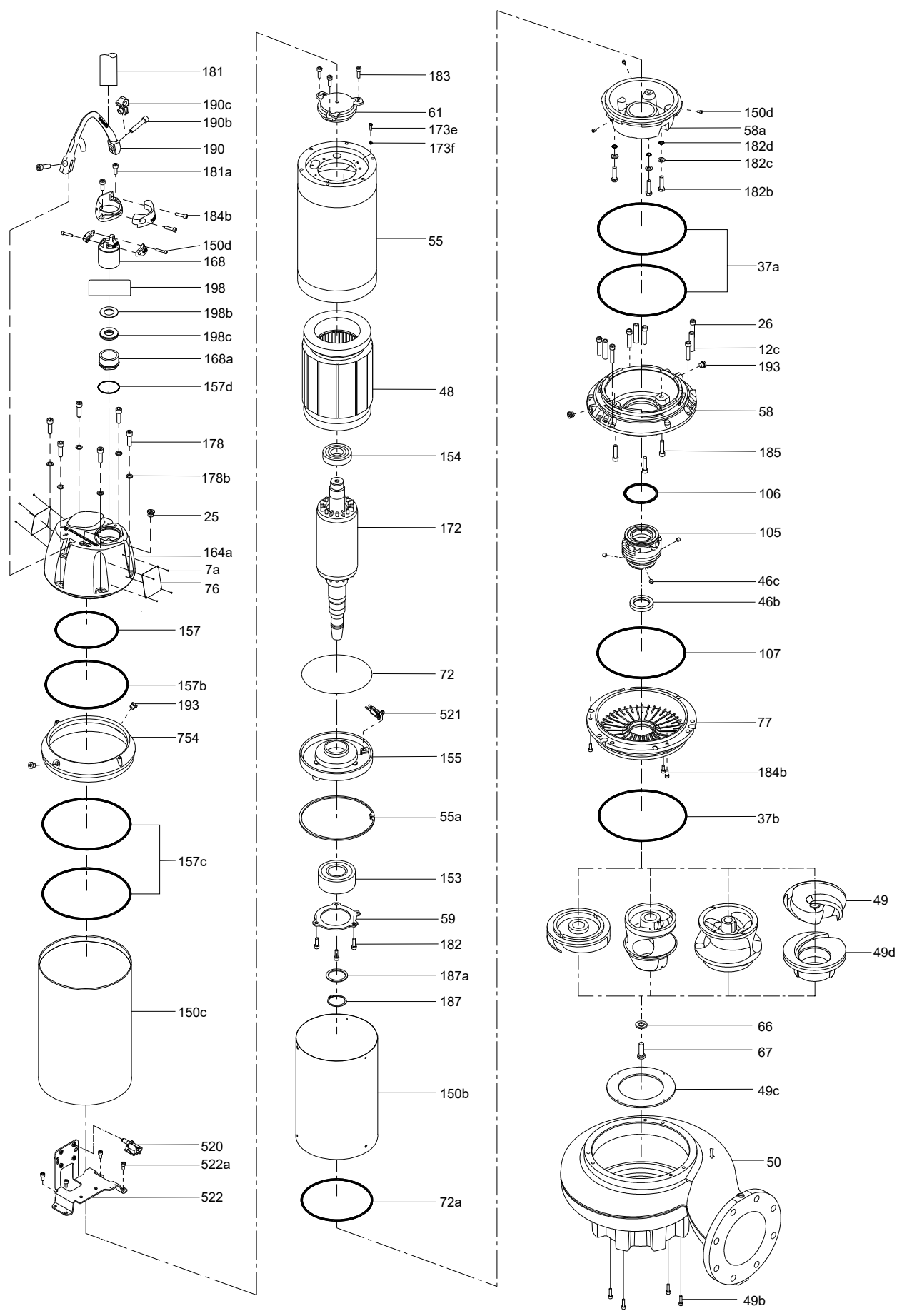
TM075461

SEV, SE, SE1, SE2 pumps, 2-4 poles



TM075462

SEV Ex, SE Ex, SE1 Ex, SE2 Ex pumps, 2-4 poles



TM075463