

## 89. TP, TPE, TPD, TPED

### TP Series 100 and 200

50/60 Hz

Shaft seal

model A

Pos.	Pump shaft diameter [mm]	12						
	25	All						
Pump type	32	-50/2 -80/2-90/2					-30 -60/2	
	40	-50/2 -80/2 -90/2					-30	
Pos.	Kit No	96409293	96508806	96508807	96508808	96508809	96488632	96488634
	Type	BUBE	BQQE	GQQE	BQQV	GQQV	BQQE	BQQV
72a	O-ring	1	1	1	1	1	1	1
105a	Shaft seal	1	1	1	1	1	1	1

Pos.	Pump shaft diameter [mm]	12					16				
	32	-30 -60/2					-40 -60/4 -80 -120 -150 -160 -180 -220 -230 -260 -330				
Pump type	40	-30					-40 -60 -80 -90/4 -120 -160 -180 -190 -230 -240 -270 -330 -390				
	50, 65, 80, 100	All									
Pos.	Kit No	96409264	96432881	96409265	96409266	985844					
	Type	AUUE	RUUE/V	BUBE	AUUE	RUUE/V					
72a	O-ring	1	1	1	1	1					
105a	Shaft seal	1	1	1	1	1					

model B

Pos.	Pump shaft diameter [mm]	12									
	25	-90					All				
Pump type	32	-90					-50/2 -80/2-90/2				
	40	-90					-50/2 -80/2 -90/2				
Pos.	Kit No	98386336	98284949	98284950	98284961	98284962	98284936	96508806	96508807	96508808	96508809
	Type	BUBV	BUBE	BQQE	GQQE	BQQV	GQQV	BQQE	GQQE	BQQV	GQQV
72a	O-ring	1	1	1	1	1	1	1	1	1	1
105a	Shaft seal	1	1	1	1	1	1	1	1	1	1

Wear parts, model A

	25	-50		-90							
Pump type	32					-50	-90	-60/2			
	40					-50	-90/2	60/4			
Pos.	Description/kit No	96408790	96408791	96408792	96408793	96414029	96436361				
9	Coupling screw	4	4	4	4	4	4				
10	Coupling pin	1	1	1	1	1	1				
48	Split cone nut	-	-	-	-	-	-				
49b	Split cone	-	-	-	-	-	-				
51	Shaft	-	-	-	-	-	-				
	Shaft with split cone and impeller	1	1	1	1	1	1				
71	Distributing cup	-	-	-	-	-	-				

		-30	-40 (USA) -80 -120 -160	-40 -60/4 -150 -180 -220 -230 -260 -330	
Pump type	32				
	40	-30	-40 -60/2 -80/2 -120	-80/4 -90/4 -160 -180 -190 -230 -240 -270 -330 -390	
	50		-30 -40 -60/2 -80/2	-60/4 -80/4 -120 -160 -180 -240	
	65		-60/2 -80/2	-30 -40 -60/4 -80/4 -180 -240	-120 -160
	80			-40 (USA) -80 (USA) -120 -160 -240 (USA)	-30 -40 -60 -80 -160 (USA)
	100			-160	All except -160
Pos.	Description/kit No	96414027	96414028	96414031	96409269
9	Coupling screw	4	4	4	4
10	Coupling pin	1	1	1	1
48	Split cone nut	1	1	1	1
49b	Split cone	1	1	1	1
51	Shaft	1	1	1	1
71	Distributing cup	1	1	1	1



## Wear parts, model B

## TP

Pump type	25	-50		-80		-90		
	32					-50	-80	-90
	40					-50	-80	-90
Pos.	Description/kit No	98284938	98284939	98284941	98284942	98284940		
9	Coupling screw	4	4	4	4	4		
10	Coupling pin	1	1	1	1	1		
48	Split cone nut	-	-	-	-	1		
49b	Split cone	-	-	-	-	1		
51	Shaft	-	-	-	-	1		
	Shaft with split cone and impeller	1	1	1	1	-		
71	Distributing cup	-	-	-	-	1		

## TPE

Pump type	25	-50		-80		-90		
	32					-50	-80	-90
	40					-50	-80	-90
Pos.	Description/kit No	98284943	98284944	98284945	98284946	98284940		
9	Coupling screw	4	4	4	4	4		
10	Coupling pin	1	1	1	1	1		
48	Split cone nut	-	-	-	-	1		
49b	Split cone	-	-	-	-	1		
51	Shaft	-	-	-	-	1		
	Shaft with split cone and impeller	1	1	1	1	-		
71	Distributing cup	-	-	-	-	1		

## Coupling complete

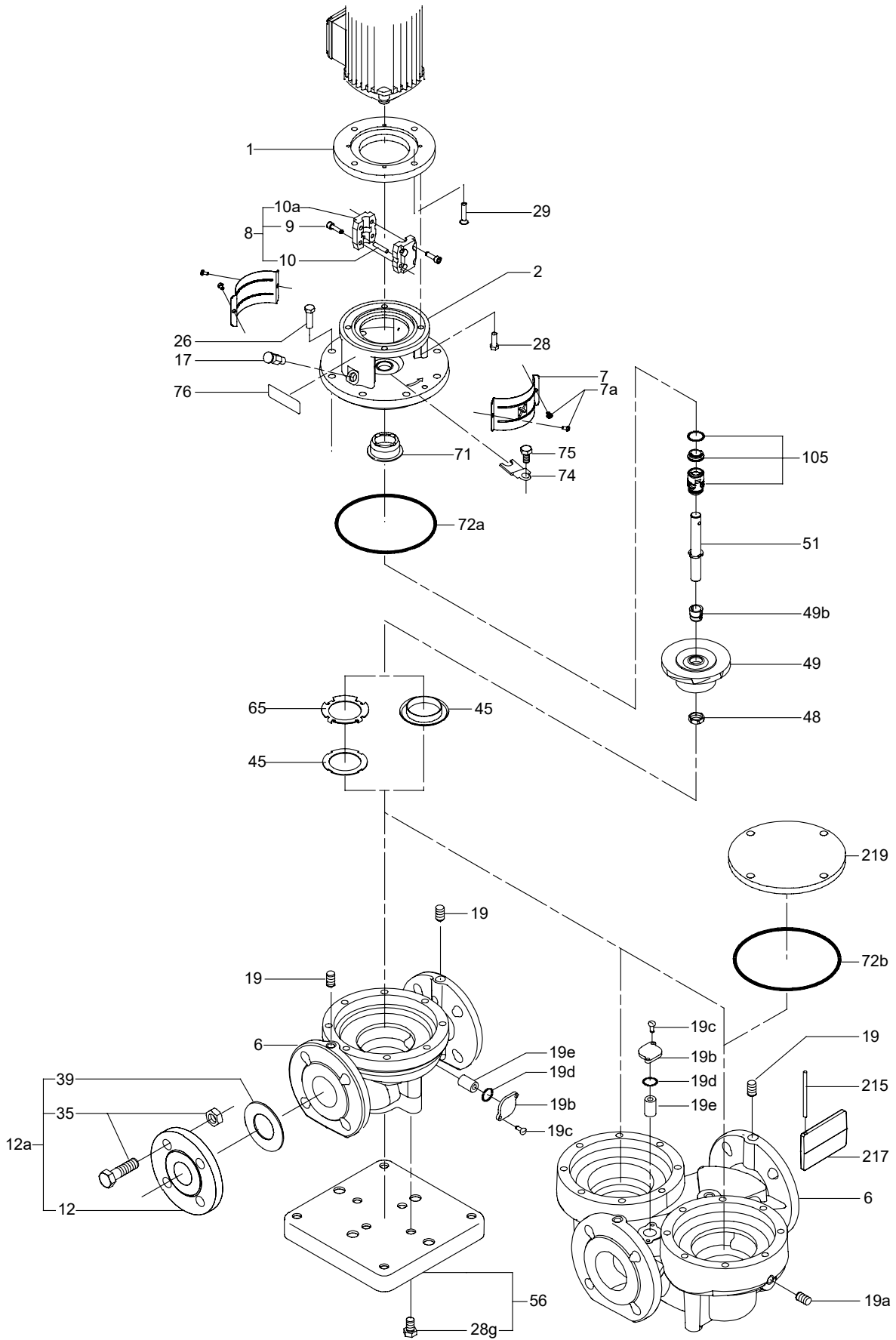
Kit No	495081	415060	339114	339119	339124	339128	485133	485134	
Pos.	Motor/pump shaft diameter [mm]	11/12	14/12	14/16	19/16	24/16	28/16	15.9/16	28.6/16
Description							NEMA	NEMA	
8	Coupling half	2	2	2	2	2	2	2	2
9	Screw	4	4	4	4	4	4	4	4
10	Pin	1	1	1	1	1	1	1	1

## Non-return valve

Pos.	Pump type	TPD 32	TPD 40	TPD 50	TPD 65	TPD 80	TPD 100
	Description/kit No	96407253	96407254	96407255	96407256	96407257	96407258
215	Guide pin	1	1	1	1	1	1
217	Valve flap	1	1	1	1	1	1

TP Series 100 and 200

TP, TPE, TPD, TPED



TM009281

## TP Series 300

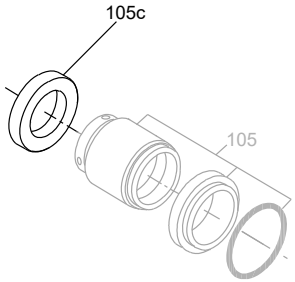
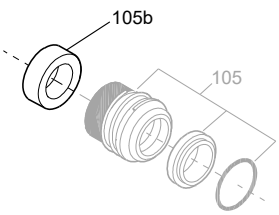
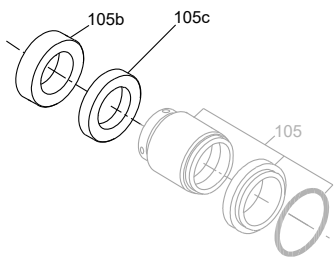
### Shaft diameter

TP	Poles	Pump type	Shaft diameter [mm]
32-		All	
40-	2, 4	All	
50-		All	
65-		All	28
	2	All	
80-	4	70, 90, 110, 150, 170	
		230, 240, 270, 280, 340, 410, 460, 510	38
	2	160, 200, 230, 240, 250, 300, 310, 350, 360, 370, 380, 390	28
100-	4	480, 530, 630, 700	38
		70, 90, 110	28
		130, 170, 200, 240, 250, 290, 330, 340, 370, 390, 410, 470	
125-	4, 6	All	
	4	130, 160, 200, 220, 250,	38
150-	6	60, 70, 90, 110	
	4	260, 280, 340, 360, 390, 400, 460, 500	48
200-	4	180, 220, 250, 270, 290, 330, 320, 360, 400, 410, 430, 440, 470, 490, 500, 530, 540, 590, 600, 660, 680, 770	55

### Shaft seal

Pos.	Type/shaft diameter [mm]	28	38	48	55	60
105a	BAQE	96488302	96537605	96306472	96306475	96658812
	BAQV	96548353	96548357	96658791	96658801	96658815
	BQQE	98434904	98434906	98434909	98434943	98434945
	BQQV	98434905	98434908	98434941	98434944	98434947
	BQQV for PWIS free	98670789	98670790	98670801	98670802	98670803
	BBQE	96551963	96551928	96658794	96658804	96658818
	GQQE	96488303	96537606	96306474	96306477	96658814
	GQQV	96504870	96537608	96658793	96658803	96658817
	DAQF	96548355	96548359	96658796	96658807	96658820
	AQQE	96551965	96551960	96658799	96658810	96658823
	AQQV	96551967	96551962	96658800	96658811	96658824
	AQAE	96551964	96551929	96658797	96658808	96658821
	AQAV	96551966	96551961	96658798	96658809	96658822
	DQQE	-	97769897	97685509	97685596	97685598
	DQQV	-	97769901	97685511	97685600	97685602
	DAUE	-	98903218	98903219	98903220	98903221

### Spacer ring for shaft seal (pos. 105b and 105c)

28, 48, 55 and 60 mm	38 mm
 <p>HJ92N, M7N</p>	 <p>MG13, RMG13</p>
	 <p>HJ92N, M7N</p>

Pos.	Shaft seal diameter [mm]	Description	Length [mm]	Kit No
105b	38	Spacer ring	15.5	96591277
	28		7.5	96938597
	38		10	96938599
105c	48		15	96938602
	55		22.5	96938604
	60		17.5	96938606
105b and 105c	38		15.5	96930797
			10	

**Non-return valve, TPD, TPED**

Pump type		32, 40, 50	65	80	100, 125	125, 150
Pos.	Cover No *	96476895	96476895	96506492/93	96506494	96506495
	Description/kit No	96488633	96488631	96537612	96537613	96537614
211	Screw	6	6	6	6	6
212	Gasket	1	1	2	1	1
215	Shaft pin	1	1	1	1	1
216	Spring	1	1	1	1	1
217	Valve flap	2	2	2	2	2
	Pipe plug	1	1	1	1	1

\* Indicated on back of cover

**Nut for impeller**

Pos.	Shaft diameter [mm]	28	38	48	55
	Description/kit No	96939128	96939134	96939132	96939134
67	Nut	1	1	1	1
11	Key	1	1	1	1
66a	Spring lock washer M24	1	1	1	1
66	Washer	1	1	1	1

**Shaft**

Containing shaft (pos. 51), nut (pos. 67), key (pos. 11), washer (pos. 66), spring washer (pos. 66a) and fixing screws (pos. 9).

**Pump with 28 mm shaft**

IEC frame size	71	80	90	100 - 112	132	160	180	200
Kit No	96039349	96039350	96039351	96039352	96039353	96039354	96039355	96039356

**Pump with 38 mm shaft**

IEC frame size	100 - 112	132	160	180	200	225 - 250	225 (2-pole)
Kit No	96039357	96039358	96039359	96039360	96039361	96537609	96537610

**Pump with 48 mm shaft**

IEC frame size	180	200	225
Kit No	96306478	96306478	96306479

**Pump with 55 mm shaft**

IEC frame size	180	200	225	250	280	315
Kit No	96306488	96306488	96306480	96306480	96306480	96306480

**Wear ring**

Pos.	Description/Pump type	TP 150	TP 200
45	Wear ring (in pump housing)	96810109	96810112
45	Wear ring (in cover)	96797628	96810112

**Coupling guard**

Pump type	P2 [kW]	Kit No
TP 150-	260/4	18.5
	280/4	22
	340/4	30
	360/4	30
	390/4	37
	400/4	37
	180/4	22
	220/4	30
	250/4	37
	270/4	45
TP 200-	290/4	45
	320/4	55
	330/4	37
	330/4	55
	360/4	45
	400/4	55
	400/4	75
	410/4	75
	430/4	55
	440/4	90
	470/4	75
	500/4	110
	530/4	90
	540/4	90
	590/4	110
	600/4	110
	660/4	132
680/4	132	
770/4	160	

\* For pumps with TECO motor (IEC280).

**Content**

Pos.	Description
7	Coupling guard
7a	Screw

**Motor bush**

Pump type	P2 [kW]	Kit No
TP 150-	260/4	18.5
	280/4	22
	340/4	30
	360/4	30
	390/4	37
	400/4	37
	180/4	22
	220/4	30
	250/4	37
	270/4	45
TP 200-	290/4	45
	320/4	55
	330/4	37
	330/4	55
	360/4	45
	400/4	55
	400/4	75
	410/4	75
	430/4	55
	440/4	90
	470/4	75
	500/4	110
	530/4	90
	540/4	90
	590/4	110
	600/4	110
	660/4	132
680/4	132	
770/4	160	

\* For pumps with TECO-motor (IEC315).

**Content**

Pos.	Description
8a	Motor bush
23	Hexagon socket head cap screw
9	Hexagon socket set screw





**Intermediate ring**

Only for pumps with TECO motor (IEC280).

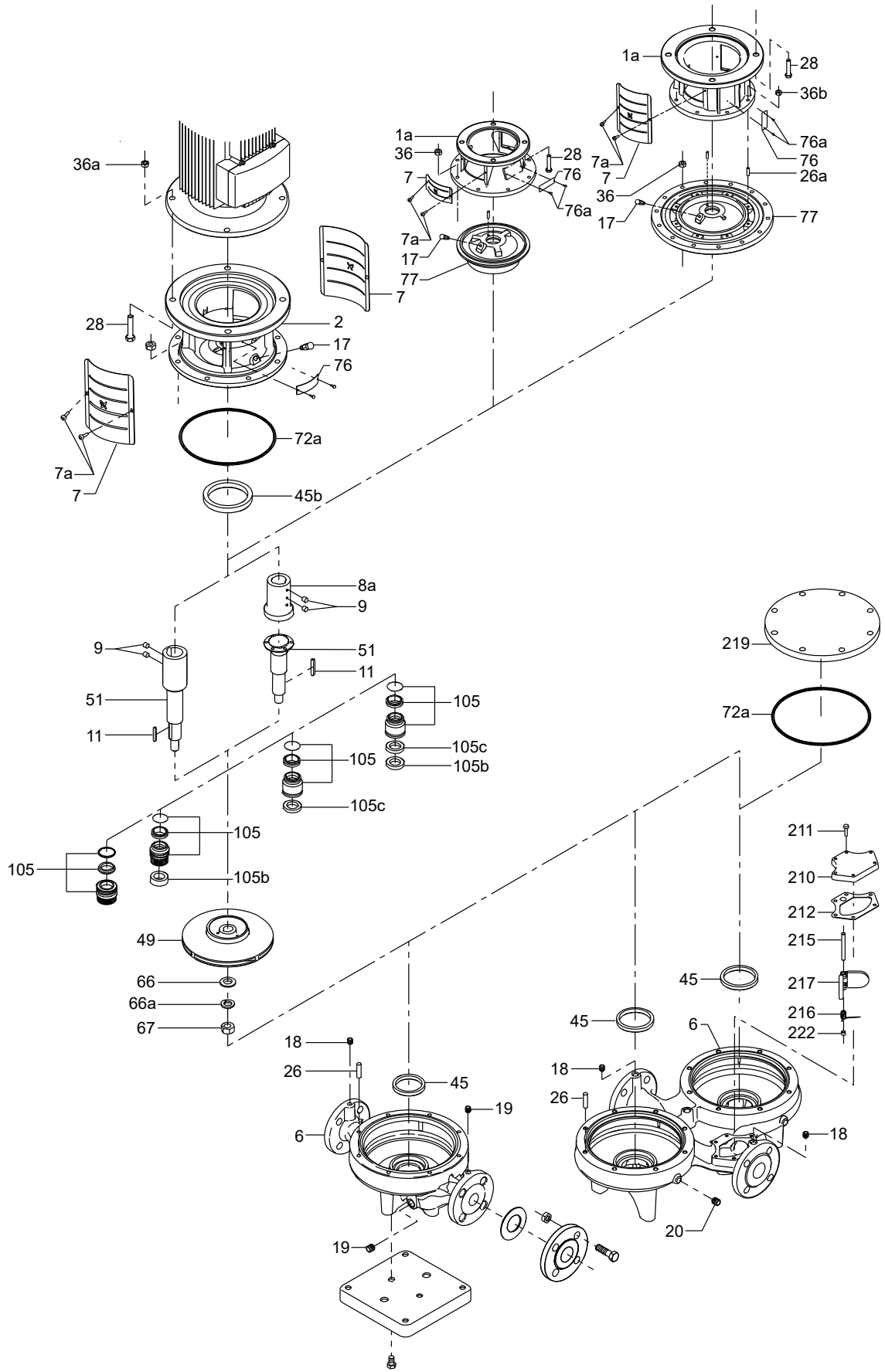
Pump type		P2 [kW]	Kit No
TP 200-	440/4	90	96832916
	500	110	
	530/4	90	
	540/4	90	
	590/4	110	
	600/4	110	

**Content**

Pos.	Description
1	Intermediate ring
28	Hexagon head screw M16
36a	Hexagon nut M16

TP, TPE, TPD, TPED

TP Series 300



TM024983

**O-ring**  
**50 Hz**

2-pole		4-pole		6-pole		O-ring, pos. 72a		
Pump type	P2 [kW]	Pump type	P2 [kW]	Pump type	P2 [kW]	V (FKM)	E (EPDM)	F (FXM)
-	-	TP 32-80/4	0.25	-	-			
-	-	TP 32-100/4	0.37	-	-			
TP 32-200/2	1.1	-	-	-	-	97757697	97757659	97790022
TP 32-250/2	1.5	-	-	-	-			
TP 32-320/2	2.2	-	-	-	-			
TP 32-380/2	3	-	-	-	-			
TP 32-460/2	4	TP 32-120/4	0.55	-	-	97757698	97757671	97790080
TP 32-580/2	5.5	-	-	-	-			
TP 40-240/2	2.2	TP 40-100/4	0.55	-	-			
TP 40-300/2	3	-	-	-	-	97757697	97757659	97790022
TP 40-360/2	4	-	-	-	-			
TP 40-470/2	5.5	TP 40-130/4	0.75	-	-			
TP 40-580/2	7.5	TP 40-160/4	1.1	-	-			
TP 40-430/2	5.5	TP 40-110/4	0.75	-	-	97757698	97757671	97790080
TP 40-530/2	7.5	TP 40-140/4	1.1	-	-			
TP 40-630/2	11	-	-	-	-			
TP 50-160/2	1.1	-	-	-	-			
TP 50-190/2	1.5	-	-	-	-	97757697	97757659	97790022
TP 50-240/2	2.2	-	-	-	-			
TP 50-290/2	3	-	-	-	-			
TP 50-360/2	4	TP 50-90/4	0.55	-	-	97757697	97757659	97790022
TP 50-430/2	5.5	-	-	-	-			
TP 50-420/2	7.5	TP 50-80/4	0.75	-	-			
TP 50-540/2	11	TP 50-120/4	1.1	-	-			
TP 50-630/2	15	TP 50-140/4	1.5	-	-			
TP 50-440/2	7.5	TP 50-110/4	0.75	-	-	97757699	97757672	97790081
TP 50-570/2	11	TP 50-130/4	1.1	-	-			
TP 50-710/2	15	TP 50-160/4	1.5	-	-			
TP 50-830/2	18.5	TP 50-190/4	2.2	-	-			
TP 50-900/2	22	TP 50-230/4	3	-	-			
TP 65-170/2	2.2	-	-	-	-			
TP 65-210/2	3	-	-	-	-			
TP 65-250/2	4	-	-	-	-			
TP 65-190/2	2.2	TP 65-90/4	0.75	-	-	97757697	97757659	97790022
TP 65-230/2	3	-	-	-	-			
TP 65-260/2	4	-	-	-	-			
TP 65-340/2	5.5	-	-	-	-			
TP 65-410/2	7.5	-	-	-	-			
TP 65-460/2	11	TP 65-110/4	1.1	-	-			
TP 65-550/2	15	TP 65-130/4	1.5	-	-			
TP 65-660/2	18.5	TP 65-150/4	2.2	-	-	97757699	97757672	97790081
TP 65-720/2	22	TP 65-170/4	3	-	-			
TP 65-930/2	30	TP 65-240/4	4	-	-			
TP 80-140/2	2.2	-	-	-	-			
TP 80-180/2	3	-	-	-	-	97757697	97757659	97790022
TP 80-210/2	4	-	-	-	-			
TP 80-240/2	5.5	-	-	-	-			

2-pole		4-pole		6-pole		O-ring, pos. 72a		
Pump type	P2 [kW]	Pump type	P2 [kW]	Pump type	P2 [kW]	V (FKM)	E (EPDM)	F (FKM)
TP 80-250/2	7.5	TP 80-70/4	1.1	-	-			
TP 80-330/2	11	TP 80-90/4	1.5	-	-	97757697	97757659	97790022
TP 80-400/2	15	TP 80-110/4	2.2	-	-			
TP 80-520/2	18.5	TP 80-150/4	3	-	-			
TP 80-570/2	22	TP 80-170/4	4	-	-	97757698	97757671	97790080
TP 80-700/2	30	-	-	-	-			
-	-	TP 80-240/4	5.5	-	-			
-	-	TP 80-270/4	7.5	-	-	97757698	97757671	97790080
-	-	TP 80-340/4	11	-	-			
TP 100-160/2	4	-	-	-	-			
TP 100-200/2	5.5	-	-	-	-	97757697	97757659	97790022
TP 100-240/2	7.5	-	-	-	-			
TP 100-250/2	11	TP 100-70/4	1.5	-	-			
TP 100-310/2	15	TP 100-90/4	2.2	-	-	97757697	97757659	97790022
TP 100-360/2	18.5	TP 100-110/4	3	-	-			
TP 100-390/2	22	-	-	-	-			
TP 100-480/2	30	TP 100-130/4	4	-	-	97757698	97757671	97790080
-	-	TP 100-170/4	5.5	-	-			
-	-	TP 100-200/4	7.5	-	-			
-	-	TP 100-250/4	11	-	-			
-	-	TP 100-330/4	15	-	-	97757705	97757675	96887764
-	-	TP 100-370/4	18.5	-	-			
-	-	TP 100-410/4	22	-	-			
-	-	TP 125-60/4	2.2	-	-			
-	-	TP 125-80/4	3	-	-	97757697	97757659	97790022
-	-	TP 125-95/4	4	-	-			
-	-	TP 125-70/4	2.2	-	-			
-	-	TP 125-90/4	3	-	-	97757697	97757659	97790022
-	-	TP 125-100/4	4	-	-			
-	-	TP 125-110/4	4	TP 125-60/6	1.5			
-	-	TP 125-130/4	5.5	TP 125-70/6	2.2	97757698	97757671	97790080
-	-	TP 125-160/4	7.5	-	-			
-	-	TP 125-190/4	11	TP 125-80/6	3			
-	-	TP 125-230/4	15	TP 125-100/6	4			
-	-	TP 125-210/4	11	TP 125-90/6	3			
-	-	TP 125-250/4	15	TP 125-110/6	4	97757705	97757675	96887764
-	-	TP 125-300/4	18.5	TP 125-130/6	5.5			
-	-	TP 125-340/4	22	TP 125-160/6	7.5			
-	-	TP 125-400/4	30	-	-			
-	-	TP 125-320/4	18.5	TP 125-140/6	5.5			
-	-	TP 125-360/4	22	TP 125-170/6	7.5	97757705	97757675	96887764
-	-	TP 125-420/4	30	-	-			
-	-	TP 150-70/4	5.5	-	-			
-	-	TP 150-110/4	7.5	-	-	97757698	97757671	97790080
-	-	TP 150-155/4	11	-	-			
-	-	TP 150-170/4	15	-	-			
-	-	TP 150-130/4	7.5	TP 150-60/6	2.2			
-	-	TP 150-160/4	11	TP 150-70/6	3			
-	-	TP 150-200/4	15	TP 150-90/6	4	97757703	97757673	96887763
-	-	TP 150-220/4	18.5	TP 150-110/6	5.5			
-	-	TP 150-250/4	22	-	-			

2-pole		4-pole		6-pole		O-ring, pos. 72a		
Pump type	P2 [kW]	Pump type	P2 [kW]	Pump type	P2 [kW]	V (FKM)	E (EPDM)	F (FXM)
-	-	TP 150-260/4	18.5	-	-			
-	-	TP 150-280/4	22	-	-			
-	-	TP 150-340/4	30	-	-	97757705	97757675	96887764
-	-	TP 150-390/4	37	-	-			
-	-	TP 200-50/4	4	-	-			
-	-	TP 200-70/4	5.5	-	-			
-	-	TP 200-90/4	7.5	-	-	97757698	97757671	97790080
-	-	TP 200-130/4	11	-	-			
-	-	TP 200-150/4	15	-	-			
-	-	TP 200-160/4	15	-	-			
-	-	TP 200-190/4	18.5	-	-			
-	-	TP 200-200/4	22	-	-	97757703	97757673	96887763
-	-	TP 200-240/4	30	-	-			
-	-	TP 200-290/4	37	-	-			
-	-	TP 200-180/4	22	-	-			
-	-	TP 200-220/4	30	-	-			
-	-	TP 200-250/4	37	-	-			
-	-	TP 200-270/4	45	-	-	97757705	97757675	96887764
-	-	TP 200-320/4	55	-	-			
-	-	TP 200-410/4	75	-	-			
-	-	TP 200-330/4	37	-	-			
-	-	TP 200-360/4	45	-	-			
-	-	TP 200-400/4	55	-	-			
-	-	TP 200-470/4	75	-	-	97757705	97757676	96887764
-	-	TP 200-530/4	90	-	-			
-	-	TP 200-590/4	110	-	-			
-	-	TP 200-660/4	132	-	-			

## 60 Hz

2-pole		4-pole		O-ring, pos. 72a		
Pump type	P2 [kW]	Pump type	P2 [kW]	V (FKM)	E (EPDM)	F (FXM)
-	-	TP 32-120/4	0.55			
-	-	TP 32-140/4	0.75			
-	-	TP 32-190/4	1.1			
TP 32-300/2	2.2	-	-			
TP 32-360/2	3	-	-	97757698	97757671	97790080
TP 32-450/2	4	-	-			
TP 32-550/2	5.5	-	-			
TP 32-680/2	7.5	-	-			
TP 32-820/2	11	-	-			
TP 40-370/2	4	TP 40-120/4	0.75			
TP 40-450/2	5.5	TP 40-160/4	1.1			
TP 40-550/2	7.5	TP 40-190/4	1.5			
TP 40-740/2	11	TP 40-220/4	2.2			
TP 40-850/2	15	-	-			
TP 40-930/2	18.5	-	-			
TP 40-400/2	4	TP 40-110/4	0.75	97757698	97757671	97790080
TP 40-460/2	5.5	TP 40-150/4	1.1			
TP 40-530/2	7.5	TP 40-180/4	1.5			
TP 40-690/2	11	TP 40-230/4	2.2			
TP 40-820/2	15	-	-			
TP 40-920/2	18.5	-	-			

2-pole		4-pole		O-ring, pos. 72a					
Pump type	P2 [kW]	Pump type	P2 [kW]	V (FKM)	E (EPDM)	F (FXM)			
TP 50-250/2	2.2	-	-	97757697	97757659	97790022			
TP 50-300/2	3	-	-						
TP 50-350/2	4	-	-	97757697	97757659	97790022			
TP 50-410/2	5.5	-	-						
TP 50-440/2	7.5	TP 50-110/4	0.75	97757699	97757672	97790081			
TP 50-540/2	11	TP 50-120/4	1.1						
TP 50-720/2	15	TP 50-140/4	1.5						
TP 50-430/2	7.5	TP 50-100/4	0.75						
TP 50-530/2	11	TP 50-115/4	1.1						
TP 50-640/2	15	TP 50-130/4	1.5						
-	-	TP 50-180/4	2.2						
TP 50-790/2	18.5	TP 50-190/4	2.2						
TP 50-880/2	22	TP 50-240/4	3						
TP 50-1050/2	30	TP 50-270/4	4						
-	-	TP 50-340/4	5.5						
TP 65-220/2	3	-	-				97757697	97757659	97790022
TP 65-260/2	4	-	-						
TP 65-200/2	3	-	-						
TP 65-250/2	4	-	-						
TP 65-340/2	5.5	-	-						
TP 65-390/2	7.5	-	-						
TP 65-480/2	11	TP 65-130/4	1.5	97757699	97757672	97790081			
TP 65-540/2	15	TP 65-150/4	2.2						
TP 65-630/2	18.5	TP 65-190/4	3						
TP 65-740/2	22	TP 65-230/4	4						
TP 65-910/2	30	TP 65-310/4	5.5						
TP 65-1050/2	37	TP 65-330/4	7.5						
TP 80-200/2	4	-	-				97757697	97757659	97790022
TP 80-240/2	5.5	-	-						
TP 80-290/2	7.5	-	-						
TP 80-330/2	11	TP 80-110/4	2.2	97757697	97757659	97790022			
TP 80-400/2	15	-	-						
TP 80-480/2	18.5	TP 80-150/4	3	97757698	97757671	97790080			
TP 80-530/2	22	TP 80-170/4	4						
TP 80-640/2	30	-	-						
TP 80-750/2	37	-	-						
-	-	TP 80-230/4	5.5						
-	-	TP 80-280/4	7.5						
-	-	TP 80-340/4	11						
-	-	TP 80-410/4	15						
-	-	TP 80-460/4	18.5						
-	-	TP 80-510/4	22						
TP 100-230/2	7.5	-	-	97757698	97757671	97790080			
TP 100-300/2	11	-	-						
TP 100-370/2	15	-	-						
TP 100-350/2	18.5	TP 100-100/4	3						
TP 100-380/2	22	-	-	97757697	97757659	97790022			
TP 100-530/2	30	TP 100-130/4	4						
TP 100-630/2	37	TP 100-170/4	5.5						
TP 100-700/2	45	-	-	97757697	97757659	97790022			

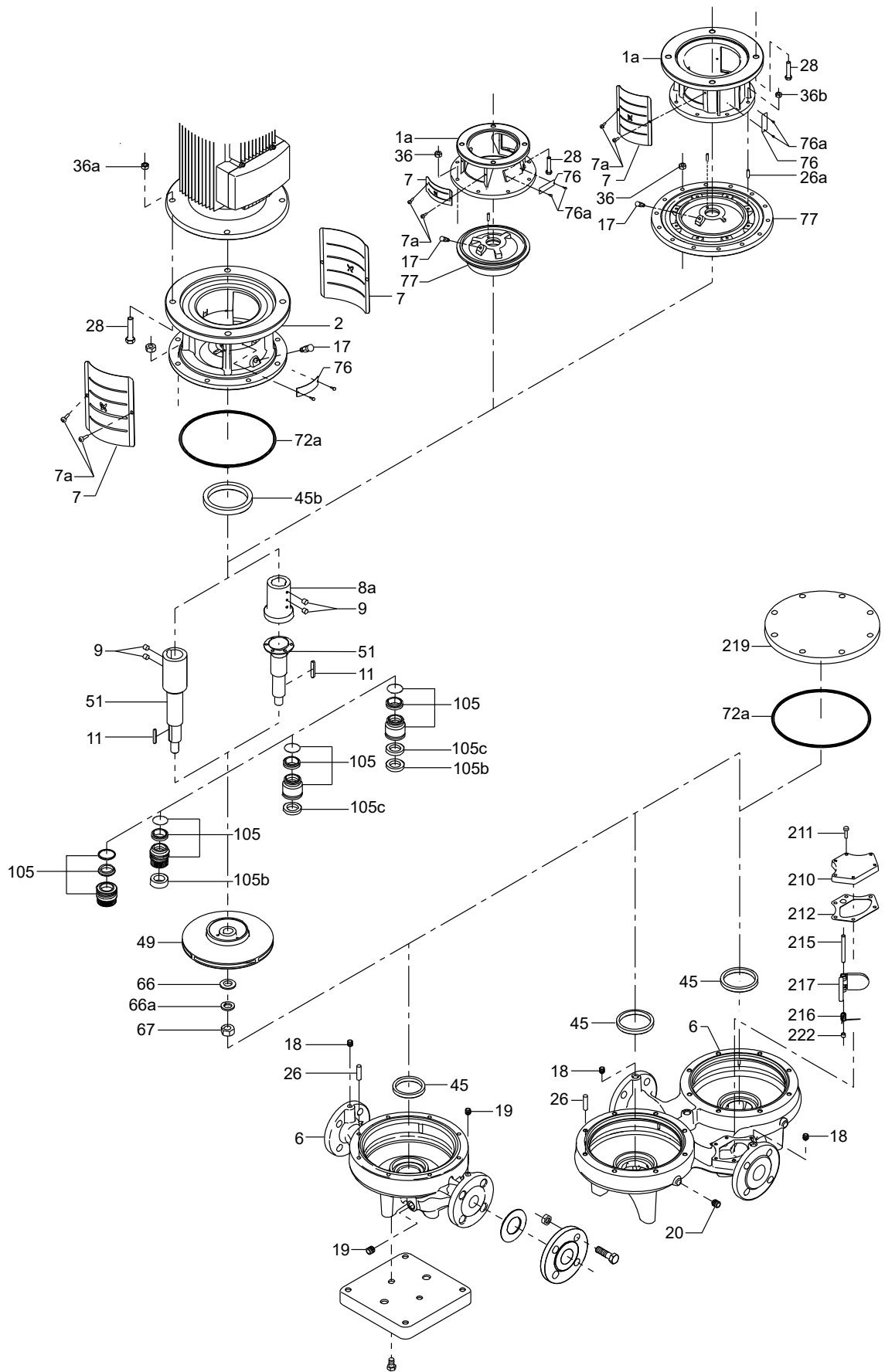
2-pole		4-pole		O-ring, pos. 72a		
Pump type	P2 [kW]	Pump type	P2 [kW]	V (FKM)	E (EPDM)	F (FXM)
-	-	TP 100-200/4	7.5			
-	-	TP 100-240/4	11			
-	-	TP 100-350/4	22			
-	-	TP 100-290/4	15	97757705	97757675	96887764
-	-	TP 100-340/4	18.5			
-	-	TP 100-390/4	22			
-	-	TP 100-470/4	30			
-	-	TP 125-80/4	3.0			
-	-	TP 125-110/4	4.0			
-	-	TP 125-135/4	5.5	97757697	97757659	97790022
-	-	TP 125-100/4	3.0			
-	-	TP 125-120/4	4.0			
-	-	TP 125-140/4	5.5			
-	-	TP 125-130/4	5.5			
-	-	TP 125-160/4	7.5	97757698	97757671	97790080
-	-	TP 125-200/4	11			
-	-	TP 125-230/4	15			
-	-	TP 125-210/4	11			
-	-	TP 125-220/4	15			
-	-	TP 125-280/4	18.5			
-	-	TP 125-340/4	22			
-	-	TP 125-365/4	30			
-	-	TP 125-260/4	15	97757705	97757675	96887764
-	-	TP 125-320/4	18.5			
-	-	TP 125-360/4	22			
-	-	TP 125-420/4	30			
-	-	TP 125-480/4	37			
-	-	TP 125-430/4	30			
-	-	TP 125-490/4	37			
-	-	TP 150-130/4	11			
-	-	TP 150-160/4	15	97757698	97757671	97790080
-	-	TP 150-200/4	18.5			
-	-	TP 150-220/4	22			
-	-	TP 150-170/4	11			
-	-	TP 150-190/4	15	97757698	97757671	97790080
-	-	TP 150-230/4	18.5			
-	-	TP 150-250/4	22			
-	-	TP 150-180/4	15			
-	-	TP 150-210/4	18.5			
-	-	TP 150-240/4	22	97757703	97757673	96887763
-	-	TP 150-300/4	30			
-	-	TP 150-340/4	37			
-	-	TP 150-360/4	30	97757705	97757675	96887764
-	-	TP 150-400/4	37			
-	-	TP 150-440/4	45			
-	-	TP 150-480/4	55			
-	-	TP 150-610/4	75	97757707	97757676	96887765
-	-	TP 150-700/4	90			
-	-	TP 150-810/4	110			
-	-	TP 150-960/4	132			
-	-	TP 200-270/4	37	97757705	97757675	96887764

2-pole		4-pole		O-ring, pos. 72a		
Pump type	P2 [kW]	Pump type	P2 [kW]	V (FKM)	E (EPDM)	F (FXM)
-	-	TP 200-80/4	7.5	97757698	97757671	97790080
-	-	TP 200-110/4	11			
-	-	TP 200-140/4	15			
-	-	TP 200-190/4	18.5			
-	-	TP 200-210/4	22			
-	-	TP 200-250/4	30	97757703	97757673	96887763
-	-	TP 200-280/4	37			
-	-	TP 200-320/4	45			
-	-	TP 200-360/4	55			
-	-	TP 200-390/4	75			
-	-	TP 200-290/4	45	97757705	97757675	96887764
-	-	TP 200-330/4	55			
-	-	TP 200-400/4	75			
-	-	TP 200-440/4	90			
-	-	TP 200-500/4	110			
-	-	TP 200-430/4	55	97757707	97757676	96887765
-	-	TP 200-490/4	75			
-	-	TP 200-540/4	90			
-	-	TP 200-600/4	110			
-	-	TP 200-680/4	132			
-	-	TP 200-770/4	160			



TP Series 300

TP, TPE, TPD, TPED



TM024983

## TP Series 400

### DN 65 - DN 250

#### Air vent screw

Pos.	Description/kit No	96121641
17	Air vent screw	1

#### Impeller screw

Pos.	Description/kit No	96121643
	Screw M8 x 30	1
68	Screw M12 x 40	1
	Screw M16 x 50	1

#### Shaft seal, 10 bar

The kits include the shaft seal (pos. 105) and a mounting cone.

Pump type	Shaft diameter [mm]
TP 100- 650/2	40
600/4	45
TP 125- 540/4	55
570/2, 730/2, 810/2	45
TP 150- 310/4, 370/4, 380/4, 420/4, 490/4, 550/4	55
TP 200- 260/4, 280/4, 300/4, 320/4, 350/4, 380/4, 390/4, 430/4, 520/4, 570/4	60
TP 250- 280/4, 310/4, 390/4, 450/4, 530/4, 580/4	

Type/shaft diameter [mm]	40	45	50	55	60
BAQE	96161882	96161883	96161885	96161884	96161886
BAQV	96161893	96161894	96161896	96161895	96161897
BQQE	96161911	96161912	96161914	96161913	98434945
BQQV	96161899	96161900	96161902	96161901	98434947
GQQE	96161888	96161889	96161890	96551584	96161891
GQQV	96161905	96161906	96161908	96161907	96161909

**Shaft seal, 25 bar**

The kits include the shaft seal (pos. 105) and a mounting cone.

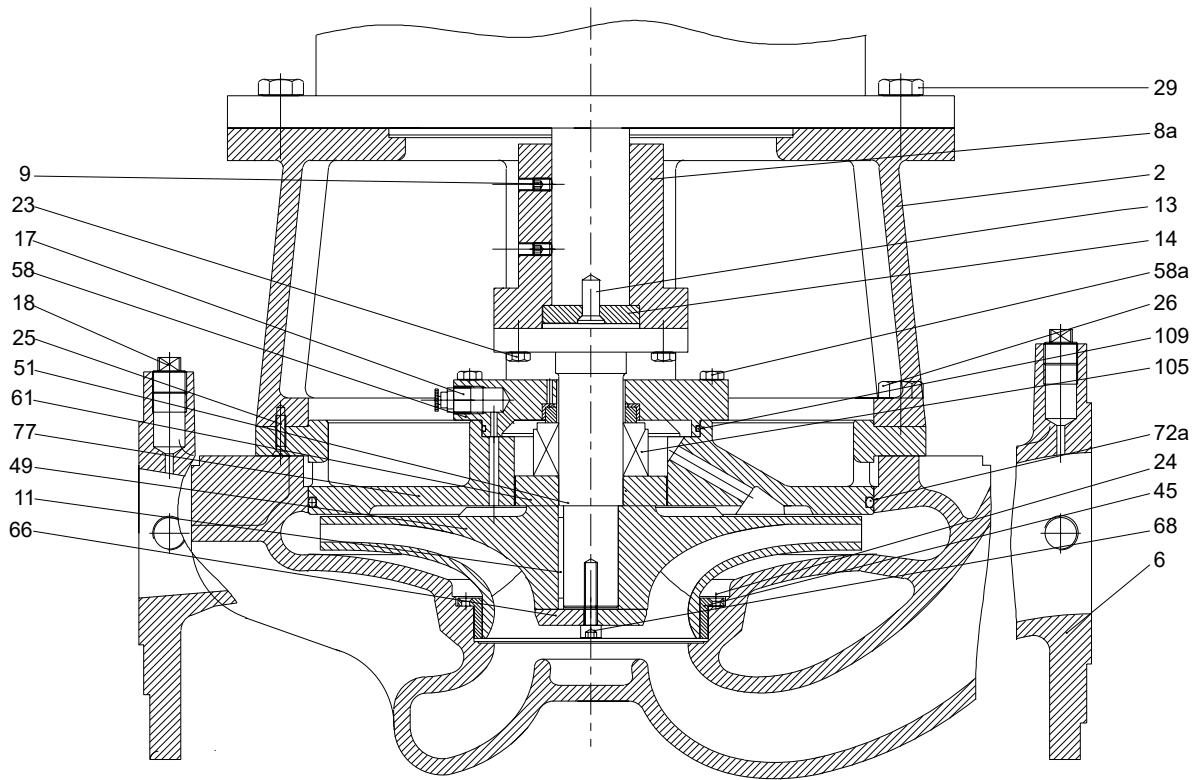
Pump type	Shaft diameter
TP 65-	250/4, 350/4, 370/4, 430/4, 440/4, 570/4, 630/4
	950/2, 1000/2, 1320/2, 1380/2, 1500/2, 1670/2, 2040/2, 2360/2
TP 80-	170/4, 210/4, 250/4, 270/4, 290/4, 350/4, 400/4,
	300/4, 370/4, 390/4, 450/4, 530/4, 580/4,
	730/2, 800/2, 900/2, 1020/2, 1040/2, 1160/2, 1210/2, 1410/2, 1570/2
TP 100-	1030/2, 1130/2, 1400/2, 1450/2, 1550/2, 1600/2, 1900/2, 2100/2, 2300/2
	170/4, 210/4, 220/4, 250/4, 260/4, 330/4, 360/4
	270/4, 320/4, 380/4, 420/4, 450/4, 530/4, 590/4, 620/2, 700/2, 820/2, 960/2, 1000/2, 1100/2, 1250/2, 1350/2
TP 125-	1050/2, 1180/2, 1400/2, 1450/2, 1530/2, 1560/2, 1680/2, 1700/2, 2100/2, 2350/2
	150/4, 210/4, 240/4, 270/4, 310/4 (60 Hz), 320/4 (60 Hz), 370/4 (60 Hz)
	580/2, 720/2, 750/2
TP 150-	280/4, 310/4 (50 Hz), 350/4, 370/4 (50 Hz), 430/4, 440/4, 500/4, 570/4, 620/4
	480/4, 580/4, 640/4, 670/4, 830/4, 910/4
	1060/2, 1160/2, 1310/2, 1500/2, 1670/2
TP 200-	170/4, 220/4, 230/4, 270/4, 350/4, 380/4
	240/4, 320/4, 330/4, 370/4, 450/4, 490/4,
TP 250-	430/4, 530/4, 650/4, 710/4, 800/4, 930/4
	190/4, 210/4, 220/4, 230/4, 250/4, 310/4
DBUE	450/4, 510/4, 560/4, 620/4, 670/4, 760/4, 840/4, 930/4
	260/4, 280/4, 350/4, 370/4, 380/4, 420/4, 520/4, 560/4,
DBUE	270/4, 320/4, 370/4, 430/4, 500/4, 550/4,
	490/4, 540/4, 600/4, 660/4, 720/4, 800/4, 910/4, 1020/4

Type/shaft diameter	1 5/8"	1 7/8"	2"	2 1/4"	2 1/2"	2 3/4"	2 5/8"	3"
DBUE	96121645	96121646	96121647	96121644	96121648	96121649	96121650	96121652

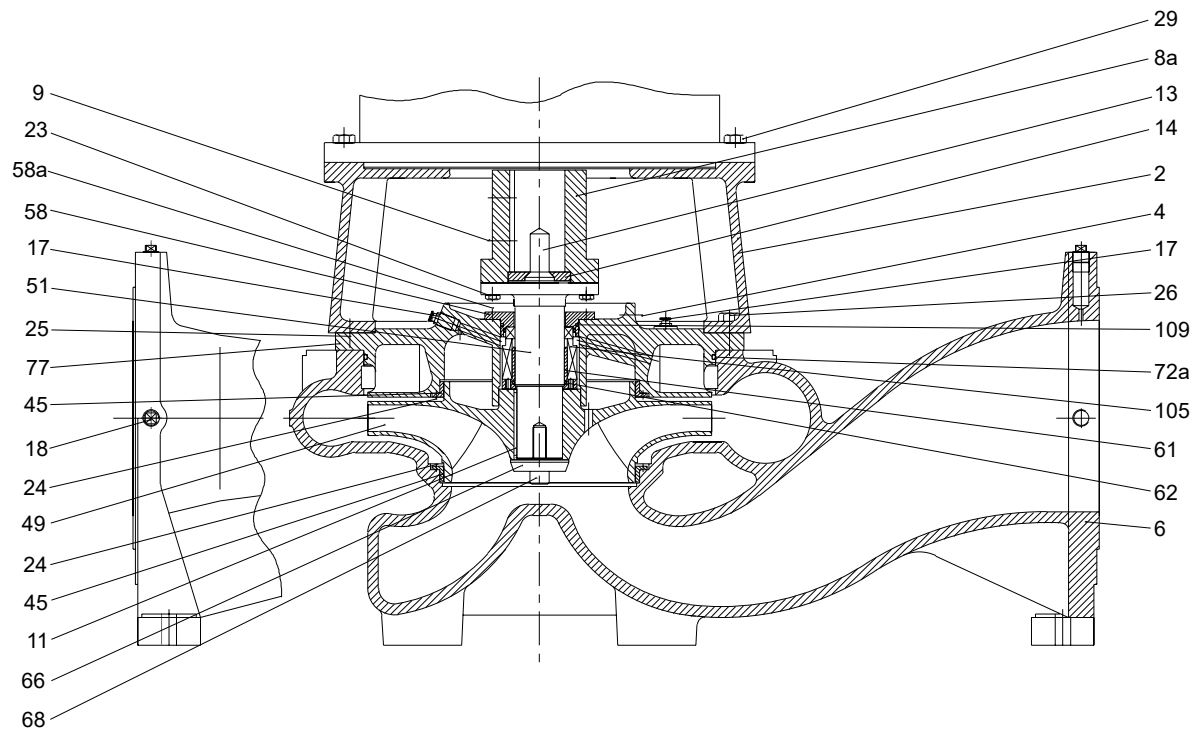
TP, TPE, TPD, TPED

TP 100 - TP 200, 10 bar



TM026998

TP 65 - TP 250, 25 bar



TM027000

**O-ring**

The kits include O-rings (pos. 62, 72a, 109).

Pump type	Kit No
10 bar	
TP 100- 600/4	96121691
650/2	96121692
TP 125- 540/2	96121687
570/2, 730/2, 810/2	96121689
TP 150- 310/4, 370/4, 380/4, 420/4, 490/4, 550/4	96121687
TP 200- 260/4, 280/4, 300/4, 320/4, 350/4, 380/4, 390/4, 430/4, 520/4, 570/4	
TP 250- 280/4, 310/4, 390/4, 450/4, 530/4, 580/4	96121688
25 bar	-
TP 65- 250/4, 350/4, 370/4, 430/4, 440/4, 570/4, 630/4	96121677
950/2, 1000/2, 1320/2, 1380/2, 1500/2, 1670/2, 2040/2, 2360/2	96121681
TP 80- 1020/2, 1040/2	96121674
300/4, 370/4, 390/4, 450/4, 530/4, 580/4	96121677
170/4, 210/4, 250/4, 270/4, 290/4, 350/4, 400/4	96121679
1130/2, 1400/2, 1450/2, 1550/2, 1600/2, 1900/2, 2100/2, 2300/2	96121681
TP 100- 270/4, 320/4, 380/4, 420/4, 450/4, 530/4, 590/4	96121673
620/2, 700/2, 820/2, 960/2, 1000/2, 1250/2, 1350/2	96121674
170/4, 210/4, 220/4, 250/4, 260/4, 330/4, 360/4	96121679
1050/2, 1180/2, 1400/2, 1450/2, 1530/2, 1560/2, 1680/2, 1700/2, 2100/2, 2350/2	96121683
580/2, 720/2, 750/2	96121675
TP 125- 150/4, 210/4, 240/4, 270/4, 310/4 (60 Hz), 320/4 (60 Hz), 370/4 (60 Hz)	96121678
280/4, 310/4 (50 Hz), 320/4 (50 Hz), 350/4, 370/4 (50 Hz), 430/4, 440/4, 500/4, 570/4, 620/4	96121681
10060/2, 1160/2, 1310/2, 1500/2, 1670/2,	96121683
480/4, 580/4, 640/4, 670/4, 830/4, 910/4	96121686
TP 150- 170/4, 220/4, 230/4, 270/4, 350/4, 380/4	96121680
240/4, 270/4, 320/4, 330/4, 350/4, 370/4, 450/4, 490/4,	96121681
430/4, 530/4, 650/4, 710/4, 800/4, 930/4	96121686
TP 200- 190/4, 210/4, 220/4, 230/4, 250/4, 310/4	96121682
450/4, 510/4, 560/4, 620/4, 670/4, 760/4, 840/4, 930/4	96121684
260/4, 280/4, 350/4, 370/4, 380/4, 420/4, 520/4, 560/4	96121683
TP 250- 490/4, 540/4, 600/4, 660/4, 720/4, 800/4, 910/4, 1020/4	96121676
270/4, 320/4, 370/4, 430/4, 500/4, 550/4	96121685

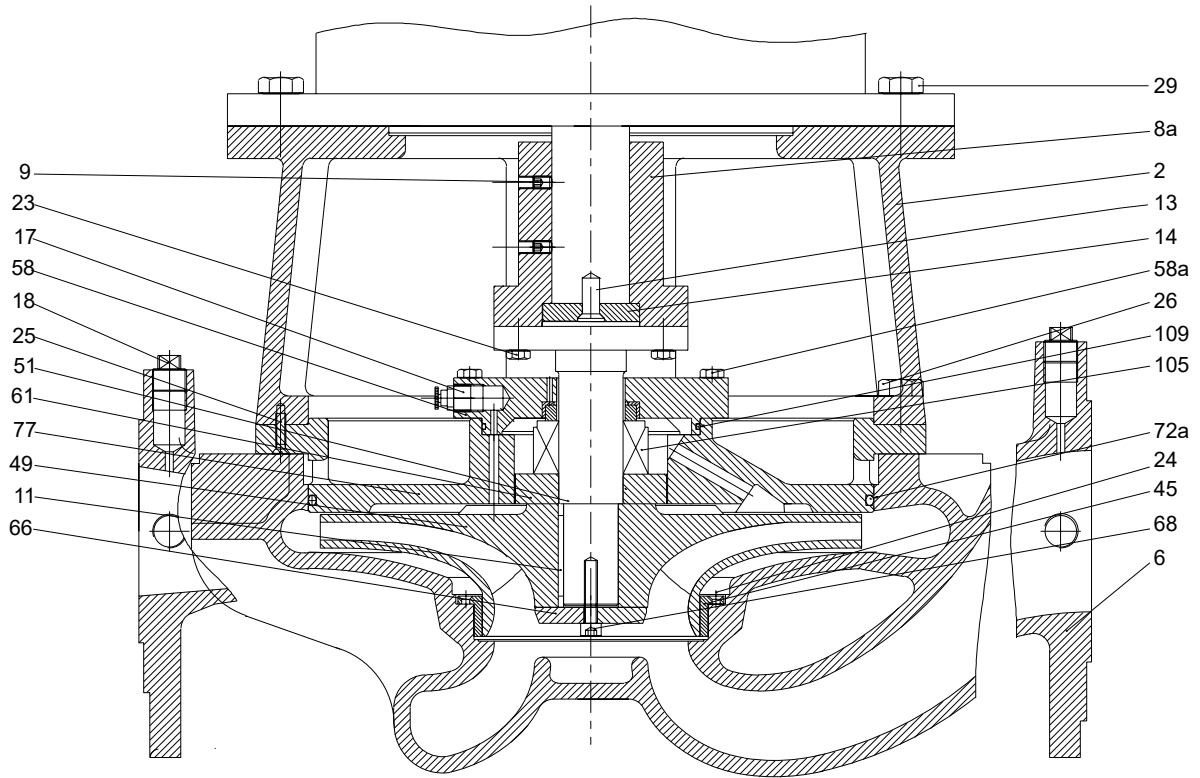
**Wear parts**

The kits include countersunk screws (pos. 24) and one neck ring (pos. 45).

Pumps with two neck rings require two kits, these pumps are highlighted with bold.

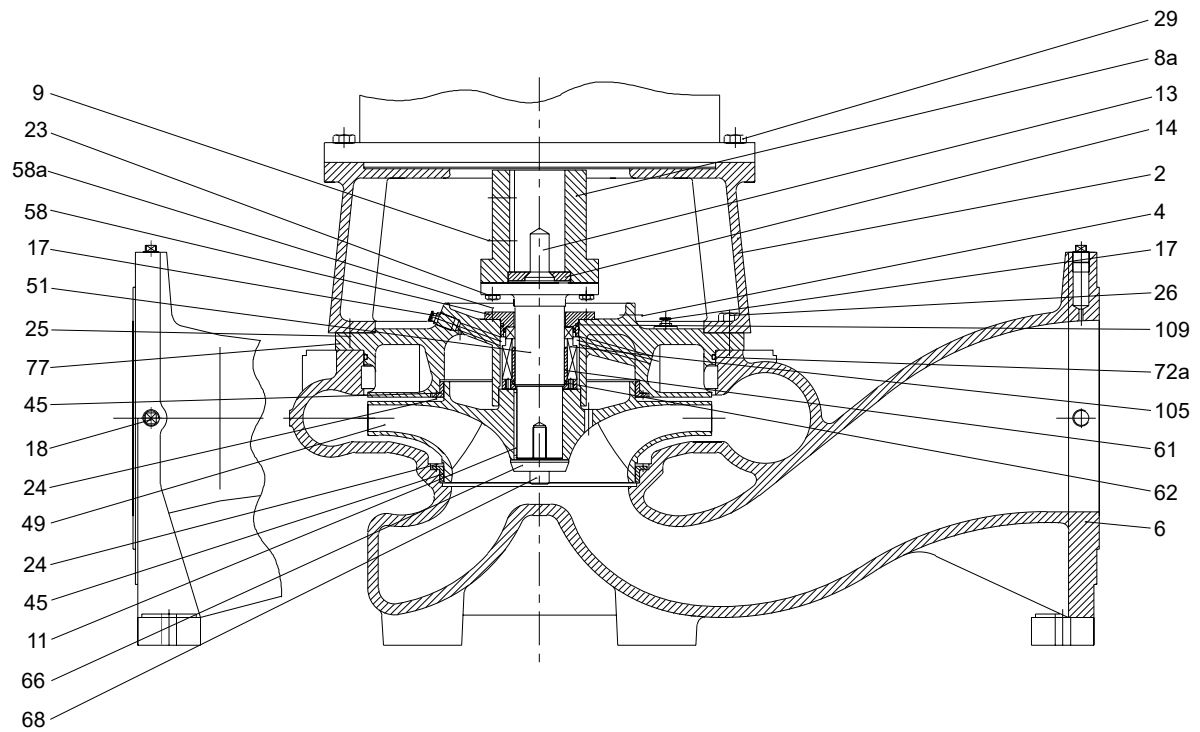
Pump type		Kit No
TP 65-	All models	96121667
TP 80-	170/4, 210/4, 250/4, 270/4, 290/4, 350/4, 400/4, 730/2, 800/2, 900/2, 1020/2, 1040/2, 1160/2, 1210/2, 1410/2, 1570/2	96121666
	300/4, 370/4, 390/4, 450/4, 530/4, 580/4, 1030/2, 1130/2, 1400/2, 1450/2, 1550/2, 1600/2, 1900/2, 2100/2, 2300/2	96121667
TP 100-	170/4, 210/4, 220/4, 250/4, 260/4, 330/4, 360/4, 600/4, 620/2, 650/2, 700/2, 820/2, 960/2, 1000/2, 1100/2, 1250/2, 1350/2	96121661
	270/4, 320/4, 380/4, 420/4, 450/4, 530/4, 590/4, 1050/2, 1180/2, 1400/2, 1450/2, 1530/2, 1560/2, 1680/2, 1700/2, 2100/2, 2350/2	96121668
TP 125-	150/4, 210/4, 240/4, 270/4, 280/4, 320/4, 350/4, 370/4, 430/4, 440/4, 500/4, 570/2, 570/4, 580/2, 620/4, 720/2, 730/2, 750/2, 810/2, 1160/2, 1310/2, 1500/2, 1670/2	96121662
	480/4, 580/4, 640/4, 670/4, 830/4, 910/4	96121663
	1060/2	96121668
TP 150-	240/4, 270/4, 310/4, 320/4, 330/4, 350/4, 370/4, 380/4, 420/4, 450/4, 490/4, 550/4, <b>710/4, 800/4, 930/4</b>	96121663
	430/4, 530/4, 650/4	96121665
	170/4, 220/4, 230/4, 380/4	96121669
TP 200-	260/4, 280/4, 300/4, 320/4, 350/4, 370/4, 380/4, 390/4, 430/4, 420/4, <b>450/4, 510/4, 520/4, 560/4, 570/4, 620/4, 670/4, 760/4, 840/4, 930/4</b>	96121664
	190/4, 210/4, 220/4, 230/4, 310/4	96121670
	430/4	96121664
TP 250-	270/4, 280/4, 310/4, 320/4, 370/4, 390/4, 450/4, <b>490/4, 500/4, 530/4, 540/4, 550/4, 580/4, 600/4, 660/4, 720/4, 800/4, 910/4, 1020/4</b>	96121665

TP 100 - TP 200, 10 bar



TM026998

TP 65 - TP 250, 25 bar



TM027000

## TP Series 400

### DN 300 - DN 400

#### Air vent screw

Pos.	Pump	TP 300	TP 400
	Description/kit No	96121641	96121642
17	Air vent screw	1	1
30	Union		2
31	Pipe bush		2
32	Pipe		1

#### Impeller screw

Pos.	Description/kit No	96121643
	Screw M8 x 30	1
68	Screw M12 x 40	1
	Screw M16 x 50	1

#### O-ring

Pos.	Description	Pump	TP 300	TP 400
		Kit No	96121693	96121694
62	O-ring		1	
72a	O-ring		1	2
109	O-ring		1	1

#### Wear parts

Pos.	Description	Pump	TP 300	TP 400
		Kit No	96121671	96121672
24(b)	Countersunk screw		6	6
45(b)	Neck ring		1	2
109	O-ring			2

#### Wear ring for impeller, TP 400

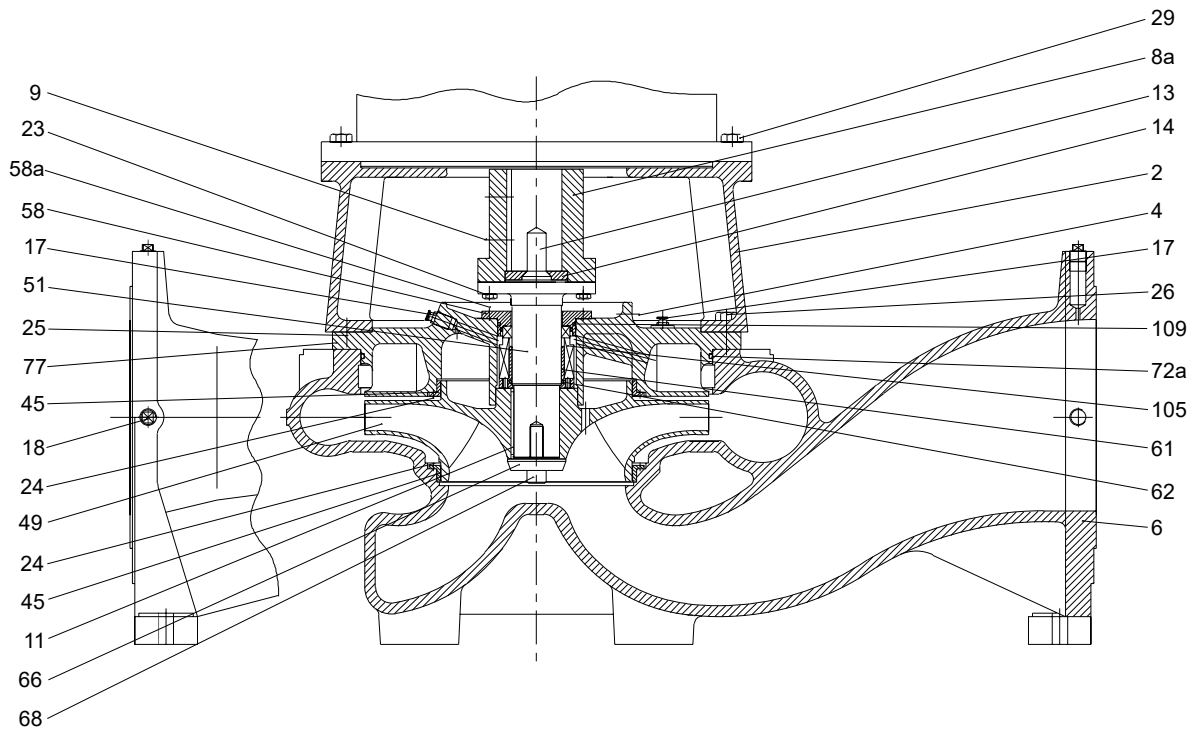
Pos.	Description/kit No	96121695
45	Wear ring for impeller	2
24	Set screw	16

#### Shaft seal

Description	Pump	TP 300	TP 400
	Kit No	96121658	96121659
Shaft seal		DBUE	DBUE

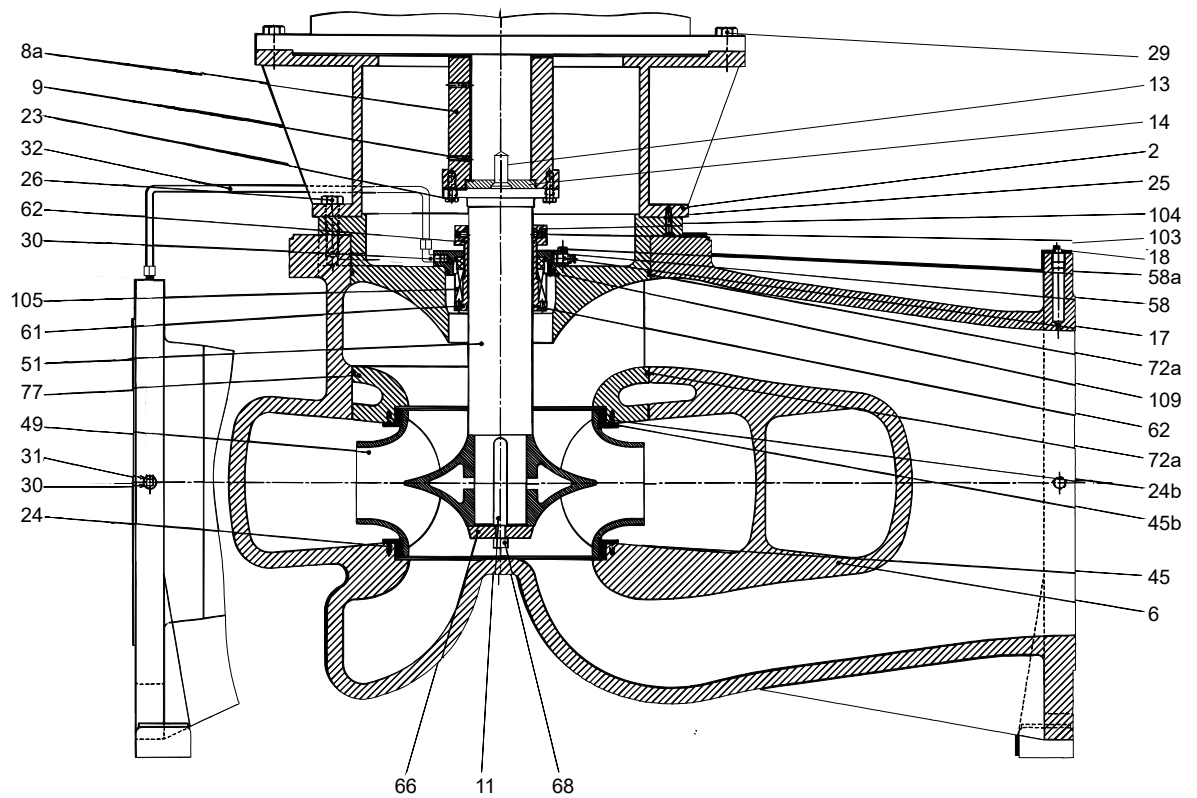


TP 300, 25 bar



TM027000

TP 400, 25 bar



TM026997

96488862 06.2022

**GRUNDFOS Holding A/S**  
Poul Due Jensens Vej 7  
DK-8850 Bjerringbro  
Tel: +45 87 50 14 00  
[www.grundfos.com](http://www.grundfos.com)

**GRUNDFOS** 