

6. Booster modules

BM, BMB 4"

BM (model D), BMB (model A) 50/60 Hz

Cable entry

Description	BM 4" with MS4000	BMB 4" with MS4000
Kit No	96871602	96871605
Cable entry	1	1

Wear parts

Pos.	Pump type	BM, BMB 3A N / BM, BMB 5A N					
	Pump stages	11-15	16-24	25-30	31-39	40-48	49-60
	Description/ Kit No	055504	105546	105547	105059	095059	095060
6	Upper bearing	1	1	1	1	1	1
7	Neck ring	15	24	30	39	48	60
85	Stop ring	2	3	3	3	3	3

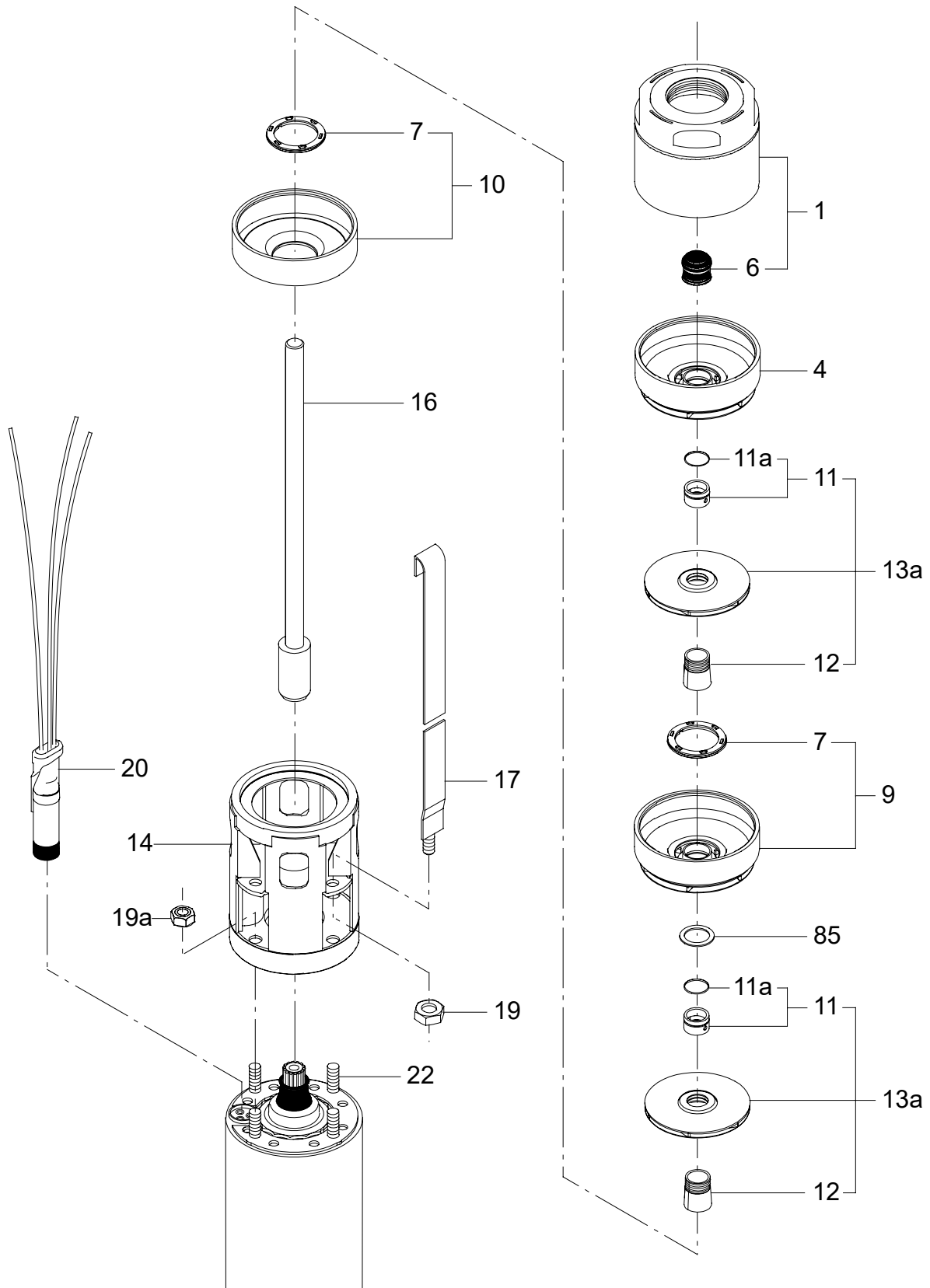
Pos.	Pump type	BM, BMB 3A NE / BM, BMB 5A NE				
	Pump stages	-12	-25	-33	-45	-60
	Description/Kit No	96440231	96440230	96440229	96440228	96440227
6	Upper bearing	1	1	1	1	1
7	Neck ring	12	25	33	45	60
85	Stop ring	2	3	3	3	3

Pos.	Pump type	BM, BMB 3A R, BM, BMB 5A R							
	Number of stages	-5	6-10	11-15	16-24	25-30	31-39	40-48	49-60
	Description/ Kit No	105969	105970	105971	105972	105973	105974	105975	105976
6	Upper bearing	1	1	1	1	1	1	1	1
7	Neck ring	5	10	15	24	30	39	48	60
85	Stop ring	1	2	2	3	3	3	3	3

Pos.	Pump type	BM, BMB 8A R			
	Number of stages	5-10	12-18	21-25	28-37
	Description/Kit No	96428935	96428936	96428937	96428938
6	Upper bearing	1	1	1	1
7	Neck ring	10	18	25	37
8	Bearing	9	17	24	36

Pos.	Pump type	BM, BMB 8A N				BM, BMB 8A NE			
	Pump stages	-10	-18	-25	-37	-10	-18	-25	-37
	Description/Kit No	96428935	96428936	96428937	96428938	96428939	96428940	96428941	96441561
6	Upper bearing	1	1	1	1	1	1	1	1
7	Neck ring	10	18	25	37	10	18	25	37
8	Bearing	9	17	24	36	9	17	24	36

BM, BMB 4"



TM032102

BM, BMB 6", 8"**BM (models C and D), BMB (model A) 50/60 Hz****Cable entry**

Description	BM 6" - MS 4000	BMB 6" - MS 4000	BM 6" - MS 6000	BMB 6" - MS 6000	BM 8" - MS 6000	BMB 8" - MS 6000
Kit No	96871603	96871606	96871604	96871607	96871604	96871607
Cable entry	1	1	1	1	1	1

Wear parts

Pos.	Pump type	BM, BMB 17 (6")							
	Version	S, NS, R				NES			
	Pump stages	-5	-16	-24	-40	-5	-16	-26	-40
	Description/Kit No	96421723	96421724	96421725	96440238	96440235	96440233	96440237	96440239
7	Neck ring	5	16	26	40	5	16	26	40
8	Bearing	5	16	26	40	5	16	26	40
8a	Spacing washer	1	1	1	1	1	1	1	1
72	Wear ring	5	16	26	40	5	16	26	40

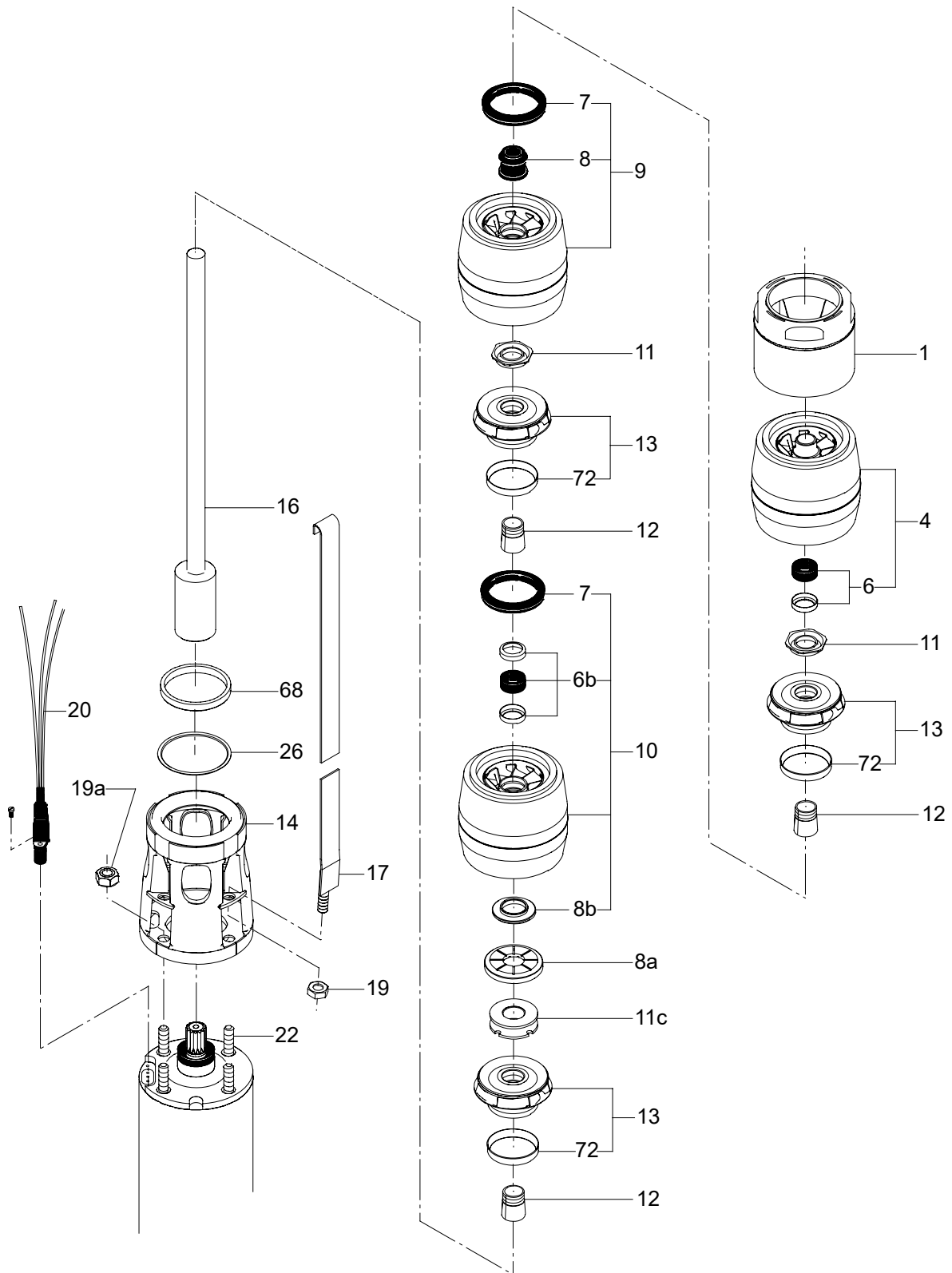
Pos.	Pump type	BM, BMB 30							
	Version	S, NS, R				NES			
	Pump stages	-5	-16	-27	-35	-5	-16	-27	-35
	Description/Kit No	96421732	96421733	96421734	96440246	96440241	96440243	96440245	96440247
6	Upper bearing	1	1	1	1	1	1	1	1
6b	Lower bearing	1	1	1	1	1	1	1	1
7	Neck ring	5	16	27	35	5	16	27	35
8	Bearing	3	14	25	33	3	14	25	33
8a	Spacing washer	1	1	1	1	1	1	1	1
8b	Stop ring	1	1	1	1	1	1	1	1
25	Neck ring retainer	1	1	1	1	1	1	1	1
72	Wear ring	5	16	27	35	5	16	27	35

Pos.	Pump type	BM, BMB 46							
	Version	S, NS, R				NES			
	Pump stages	-6	-10	-16	-24	-6	-10	-16	-24
	Description/ Kit No	96440248	96440250	96440252	96440254	96440249	96440251	96440253	96440255
6	Upper bearing	1	1	1	1	1	1	1	1
6b	Lower bearing	1	1	1	1	1	1	1	1
7	Neck ring	5	9	15	23	5	9	15	23
8	Bearing	4	8	14	22	4	8	14	22
8a	Spacing washer	1	1	1	1	1	1	1	1
8b	Stop ring	1	1	1	1	1	1	1	1
11c	Nut for stop ring	1	1	1	1	1	1	1	1
68	Lower neck ring	1	1	1	1	1	1	1	1
72	Wear ring	6	10	16	24	6	10	16	24

Pos.	Pump type	BM, BMB 60							
	version	S, NS, R				NES			
	Pump stages	-6	-10	-16	-22	-6	-10	-16	-22
	Description/Kit No	96440369	96440371	96440373	96440375	96440370	96440372	96440374	96440376
6	Upper bearing	1	1	1	1	1	1	1	1
6b	Lower bearing	1	1	1	1	1	1	1	1
7	Neck ring	5	9	15	21	5	9	15	21
8	Bearing	4	8	14	20	4	8	14	20
8a	Spacing washer	1	1	1	1	1	1	1	1

Pump type		BM, BMB 60							
Pos.	version	S, NS, R				NES			
	Pump stages	-6	-10	-16	-22	-6	-10	-16	-22
Description/Kit No		96440369	96440371	96440373	96440375	96440370	96440372	96440374	96440376
8b	Stop ring	1	1	1	1	1	1	1	1
11c	Nut for stop ring	1	1	1	1	1	1	1	1
68	Lower neck ring	1	1	1	1	1	1	1	1
72	Wear ring	6	10	16	22	6	10	16	22

BM, BMB 6"



TM014194

Pump type		BM, BMB 77 (8")					
Pos.	Version	S, NS, R			NES		
	Pump stages	-8	9-14	15-20	-8	9-14	15-20
	Description/ Kit No	96440256	96440258	96440260	96440257	96440259	96440261
1d	O-ring	1	1	1	1	1	1
6b	Lower bearing	1	1	1	1	1	1
7	Neck ring	8	14	20	8	14	20
8	Bearing	4	5	8	4	5	8
8a	Washer for stop ring	1	1	1	1	1	1
8b	Stop ring	1	1	1	1	1	1
11c	Nut for stop ring	1	1	1	1	1	1
72	Wear ring	8	14	20	8	14	20

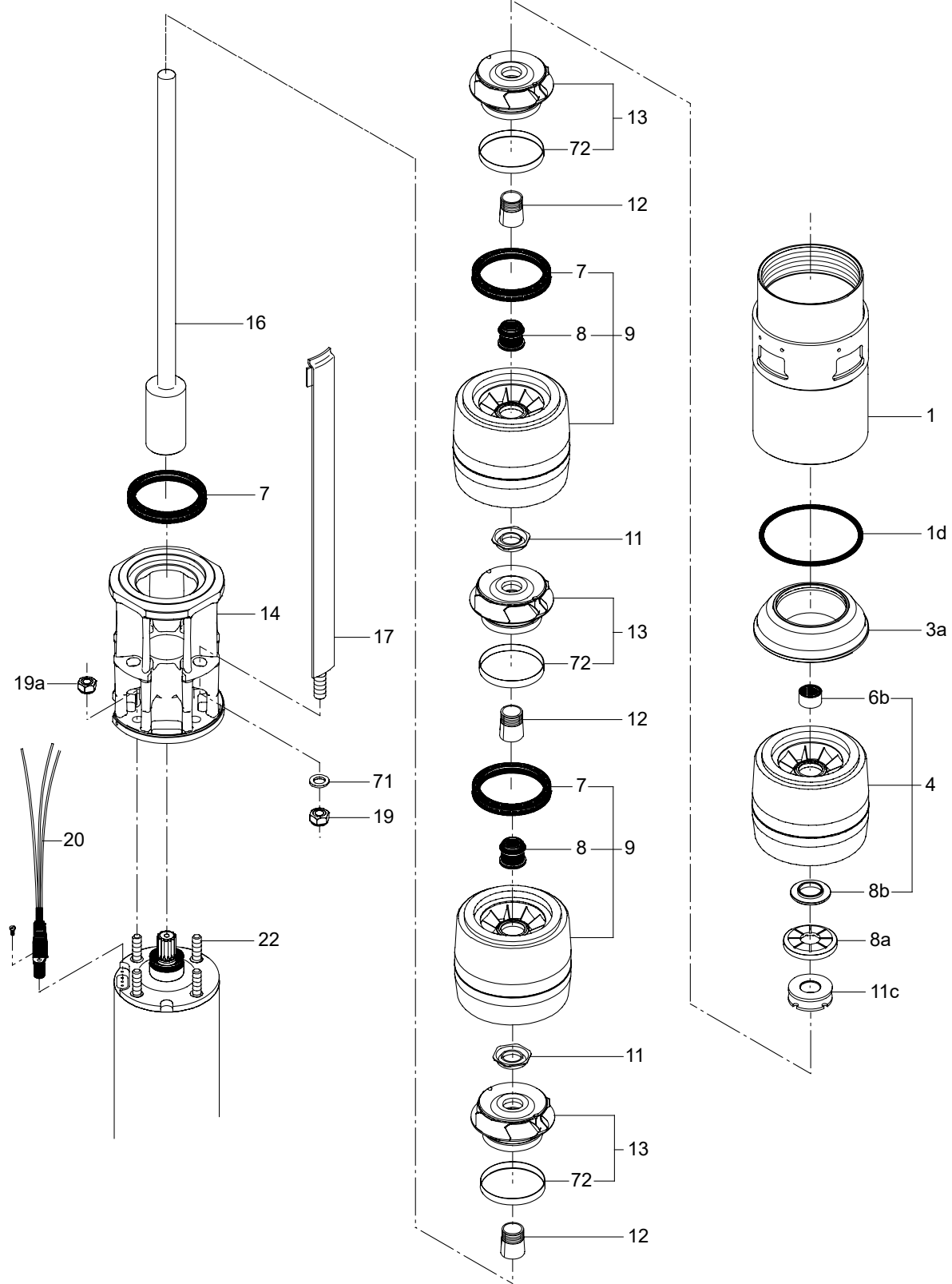
Pump type		BM, BMB 95 (8")					
Pos.	Version	S, NS, R			NES		
	Pump stages	-8	9-14	15-20	-8	9-14	15-20
	Description/ Kit No	96440715	96440716	96440717	96440718	96440719	96440720
1d	O-ring	1	1	1	1	1	1
6b	Lower bearing	1	1	1	1	1	1
7	Neck ring	8	14	20	8	14	20
8	Bearing	4	5	8	4	5	8
8a	Washer for stop ring	1	1	1	1	1	1
8b	Stop ring	1	1	1	1	1	1
11c	Nut for stop ring	1	1	1	1	1	1
72	Wear ring	8	14	20	8	14	20

Pump type		BM, BMB 125 (8")					
Pos.	Version	S, NS, R			NES		
	Pump stages	-4	5-6	7-9	-4	5-6	7-9
	Description/Kit No	96440262	96440264	96440266	96440263	96440265	96440267
1d	O-ring	1	1	1	1	1	1
5	Stop disc	1	1	1	1	1	1
6	Upper bearing	1	1	1	1	1	1
7	Neck ring	4	6	9	4	6	9
8	Bearing	3	5	8	3	5	8
72	Wear ring	4	6	9	4	6	9

Pump type		BM 160 (8")			
Pos.	Version	S, NS, R		NES	
	Pump stages	-5	6-9	-5	6-9
	Description/ Kit No	205117	205118	97891543	97891544
1d	O-ring	1	1	1	1
5	Stop disc	1	1	1	1
6	Upper bearing	1	1	1	1
7	Neck ring	5	9	5	9
8	Bearing	4	8	4	8
72	Wear ring	5	9	5	9

Pump type		BM 215 (8")					
Pos.	Version	S, NS, R			NES		
	Pump stages	-2	3-4	5-7	-2	3-4	5-7
	Description/ Kit No	<i>185033</i>	<i>185034</i>	<i>185035</i>	<i>97891545</i>	<i>97891546</i>	<i>97891547</i>
1d	O-ring	1	1	1	1	1	1
5	Stop disc	1	1	1	1	1	1
6	Upper bearing	1	1	1	1	1	1
7	Neck ring	2	4	7	2	4	7
8	Bearing	1	3	6	1	3	6
72	Wear ring	2	4	7	2	4	7

BM, BMB 8"



TM013451

BME, BMET, BMEX**50/60 Hz****Grease**

Description	Motor	Kit No
Grease Unirex 2N, 400 g cartridge	ABB	96616737
Grease Klüberquiet BQ 72-72, 400 g cartridge	VEM	96616736
Grease Unirex N3	Siemens	96741461

Pulley head complete

Description	Kit No
7 grooves	96693978
9 grooves	96693979

Pulley head turbine, complete (BMET only)

Description	Quantity	Kit No
Pulley head turbine complete	1	96863885

Seal kit

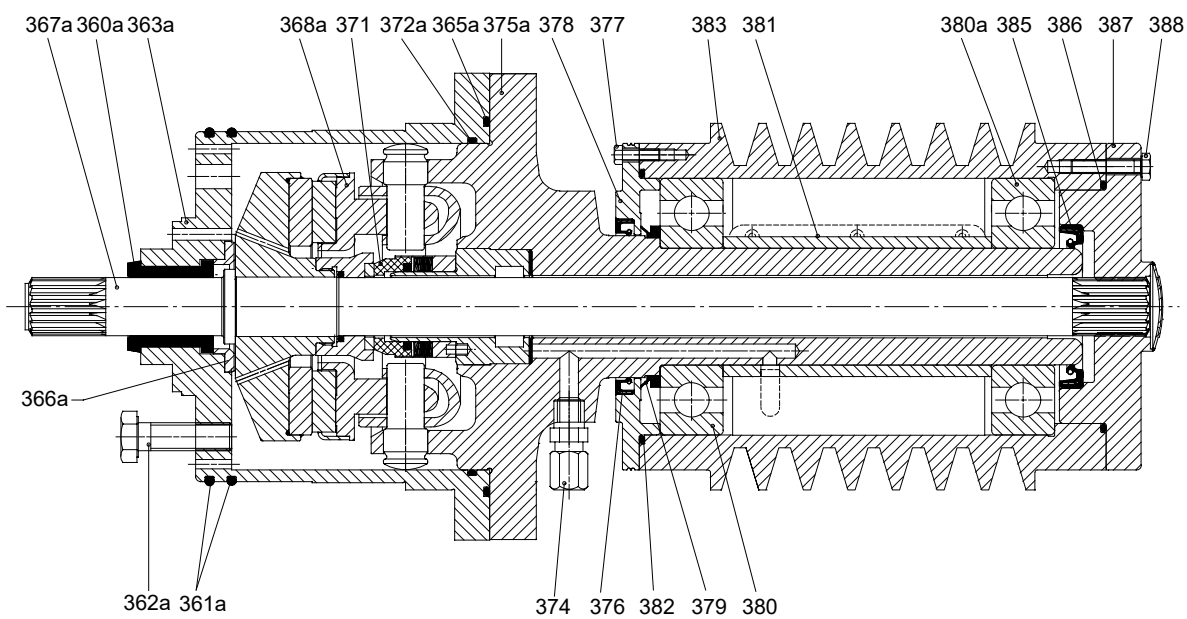
Pos.	Description/Kit No	BME	BMET
		145177	145178
360a	Bearing	1	3
361a	O-ring	144.5 x 3	2
365a		154.5 x 3	1
366a	Axial bearing	1	1
372a	O-ring	139.5 x 3	1
376	Seal ring	75 x 61 x 8	1
379	V-ring FKM 60 A	1	-
382	O-ring	109.5 x 3	1
385	Seal ring	70 x 50 x 10	1
386	O-ring	99.5 x 3	1
389	Seal ring	35 x 25 x 7	-
396		42 x 1.6	-
397	O-ring	36.2 x 3	-
82 ¹		74.2 x 5.7	1
-	Sealing compound	-	1

¹ Position number is from the pump parts list.

Tools

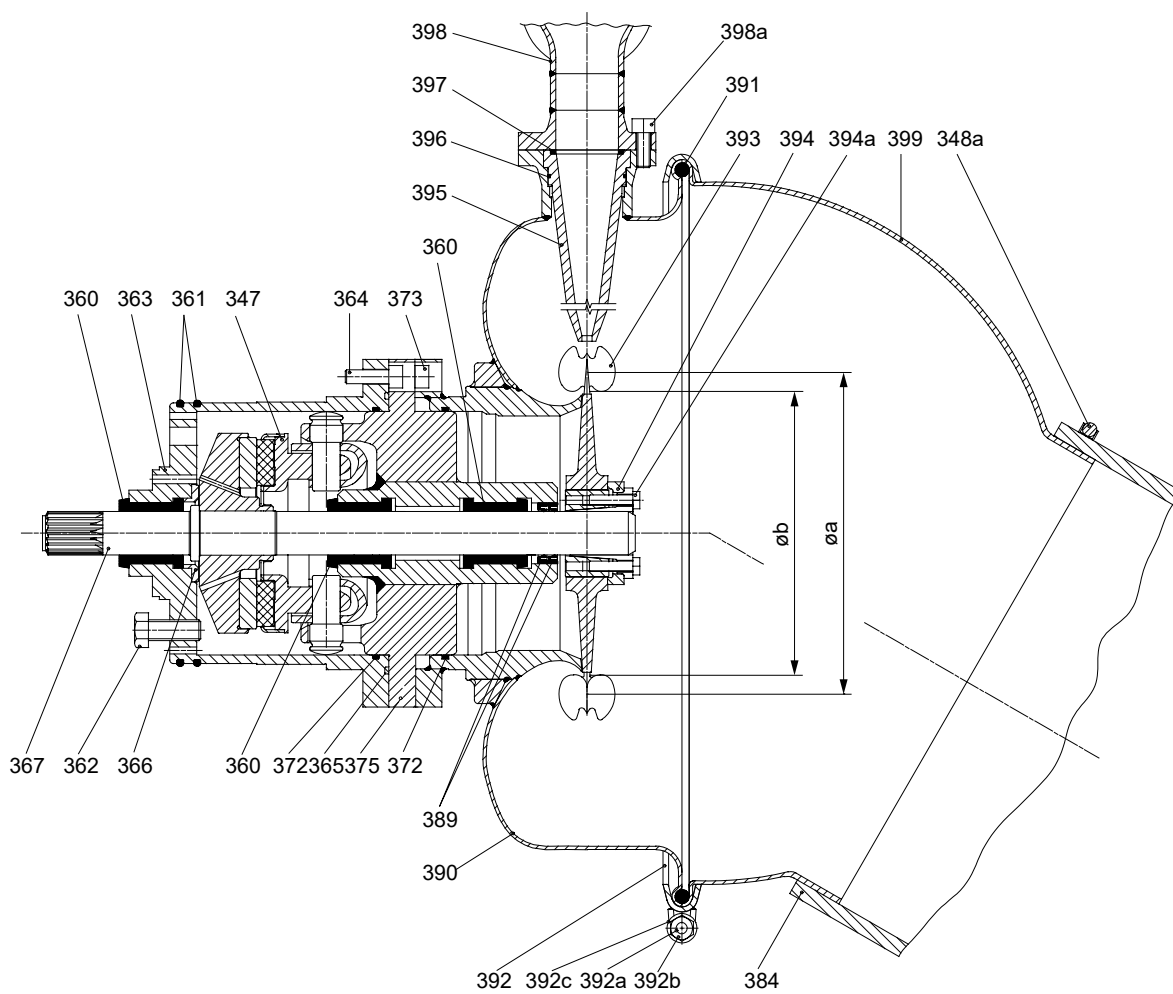
Description	Kit No
V-belt tension tester	96575457
V-belt gauge	96575458
Grease gun	96656481

Pulley head



TM012401

Pulley head, BMT



TM012402

Wear parts

BME, BMET 17

Pos.	Pump type	N, NS, R versions		
		Pump stages	-10	-20
	Kit No	96604294	96604295	96604296
	Description			
6	Top bearing	1	1	1
7	Neck ring	10	20	30
8	Bearing	9	19	29
8a	Spacing washer	1	1	1
72	Wear ring	10	20	30

BME, BMET 30

Pos.	Pump type	N, NS, R versions		
		Pump stages	-10	-18
	Kit No	96604297	96604298	96604299
	Description			
6	Top bearing	1	1	1
6B	Lower bearing	1	1	1
7	Neck ring	10	18	26
8	Bearing	8	16	24
8a	Spacing washer	1	1	1
8b	Stop ring	1	1	1
25	Neck ring retainer	1	1	1
72	Wear ring	10	18	26

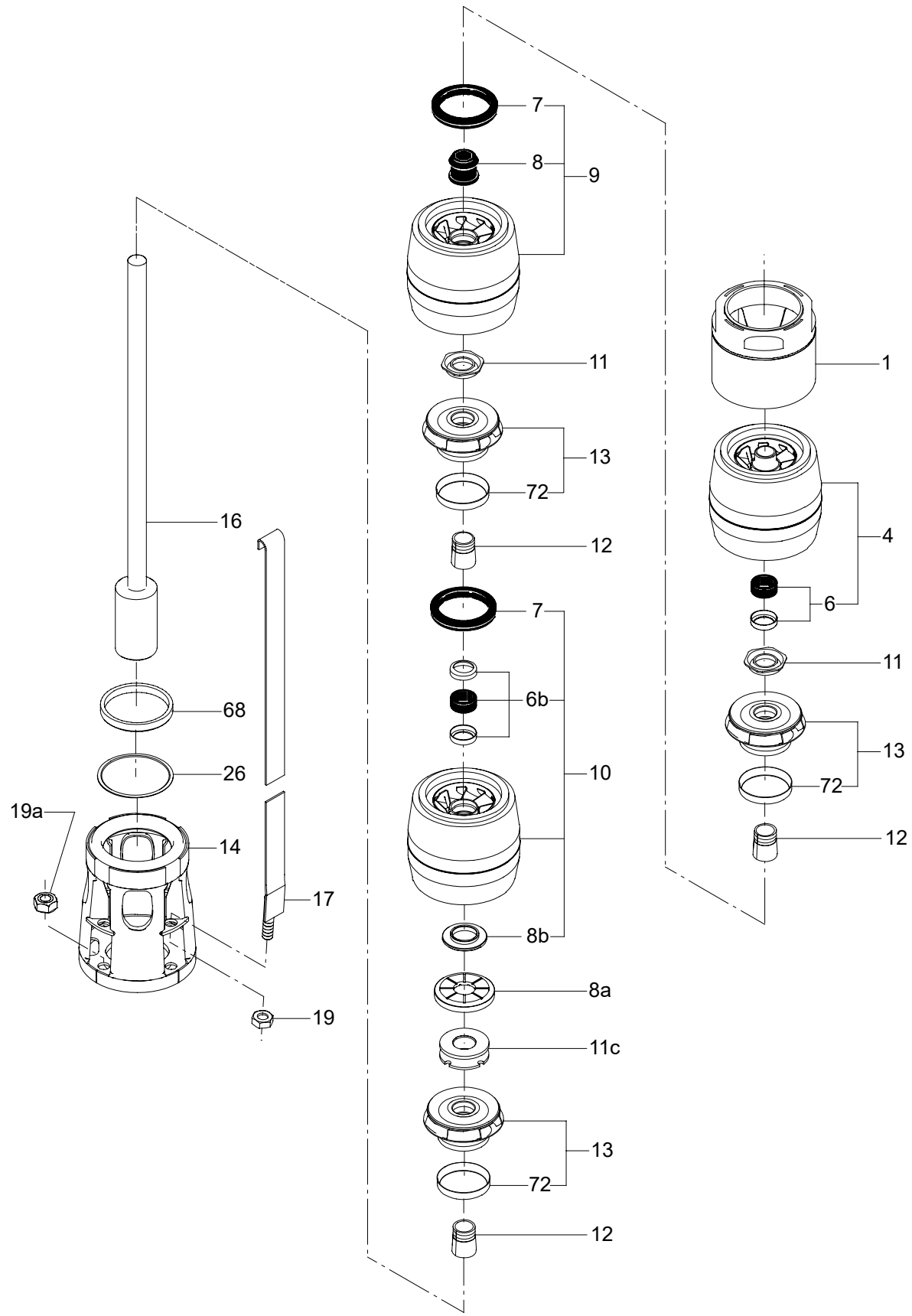
BME, BMET 46

Pos.	Pump type	N, NS, R versions		
		Pump stages	-8	-13
	Kit No	96604330	96604331	96604333
	Description			
6	Top bearing	1	1	1
6B	Lower bearing	1	1	1
7	Neck ring	7	12	16
8	Bearing	6	11	15
8a	Spacing washer	1	1	1
8b	Stop ring	1	1	1
11c	Nut for stop ring	1	1	1
68	Lower neck ring	1	1	1
72	Wear ring	8	13	17

BME, BMET 60

Pos.	Pump type	N, NS, R versions		
		Pump stages	-8	-13
	Kit No	96604334	96604335	96604336
	Description			
6	Top bearing	1	1	1
6B	Lower bearing	1	1	1
7	Neck ring	7	12	16
8	Bearing	6	11	15
8a	Spacing washer	1	1	1
8b	Stop ring	1	1	1
11c	Nut for stop ring	1	1	1
68	Lower neck ring	1	1	1
72	Wear ring	8	13	17

Wear parts



TM032943

96488862 06.2022

GRUNDFOS Holding A/S
Poul Due Jensens Vej 7
DK-8850 Bjerringbro
Tel: +45 87 50 14 00
www.grundfos.com

GRUNDFOS 