

65. NS, PF

NS

NS 3-40, NS 4-23, NS 5-33
50 Hz

Shaft Seal kit

Pos.	Pump type	NS 3-40	NS 4-23	NS 5-33	NS 5-50, NS 5-60
		Kit No	98937533	98937536	98937537
16	Shaft seal, stationary part	1	1	1	1
16	Shaft seal, rotating part	1	1	1	1
28	O-ring	-	1	1	-
28	Gasket	1	-	-	1

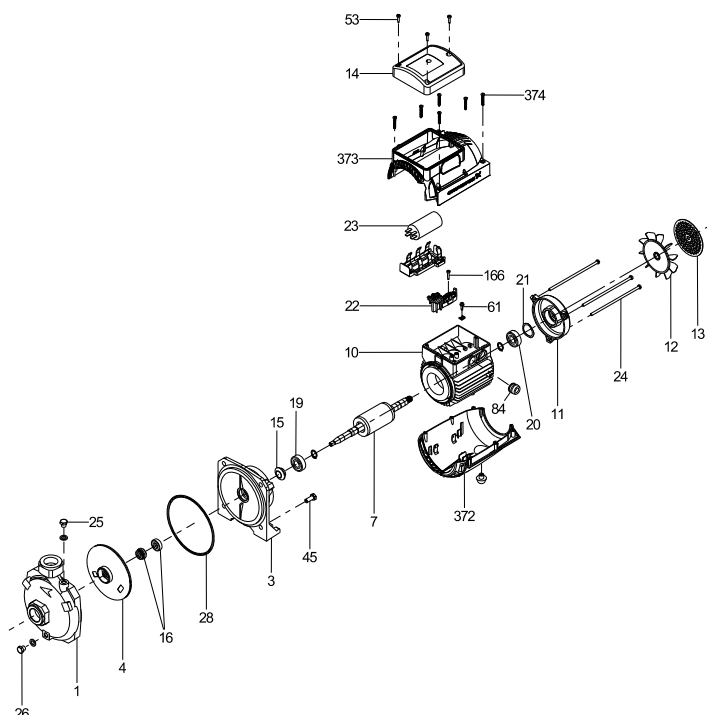
Impeller kit

Pos.	Pump type	NS 3-40	NS 4-23	NS 5-33	NS 5-50	NS 5-60
		Kit No	98937554	98937555	98937556	98937557
2	Diffuser	-	-	-	-	-
4	Impeller	1	1	1	1	1
5	Impeller	1	-	-	1	1
28	O-ring	-	1	1	-	-
28	Gasket	1	-	-	1	1

Bulk and spares

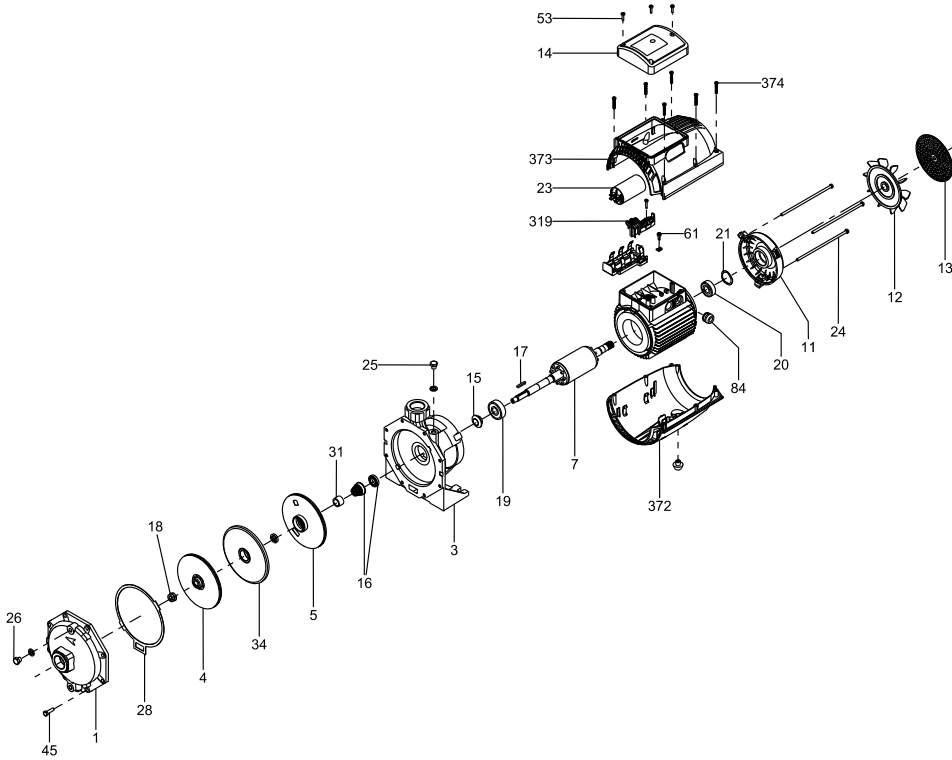
Capacitor

Pos.	Pump type	NS 3-40	NS 4-23	NS 5-33, NS 13-18	NS 5-50, NS 6-30	NS 5-60, NS 6-40, NS 30-18
		Kit No	98937567	98937568	98937569	98937570
23	Capacitor	1	1	1	1	1



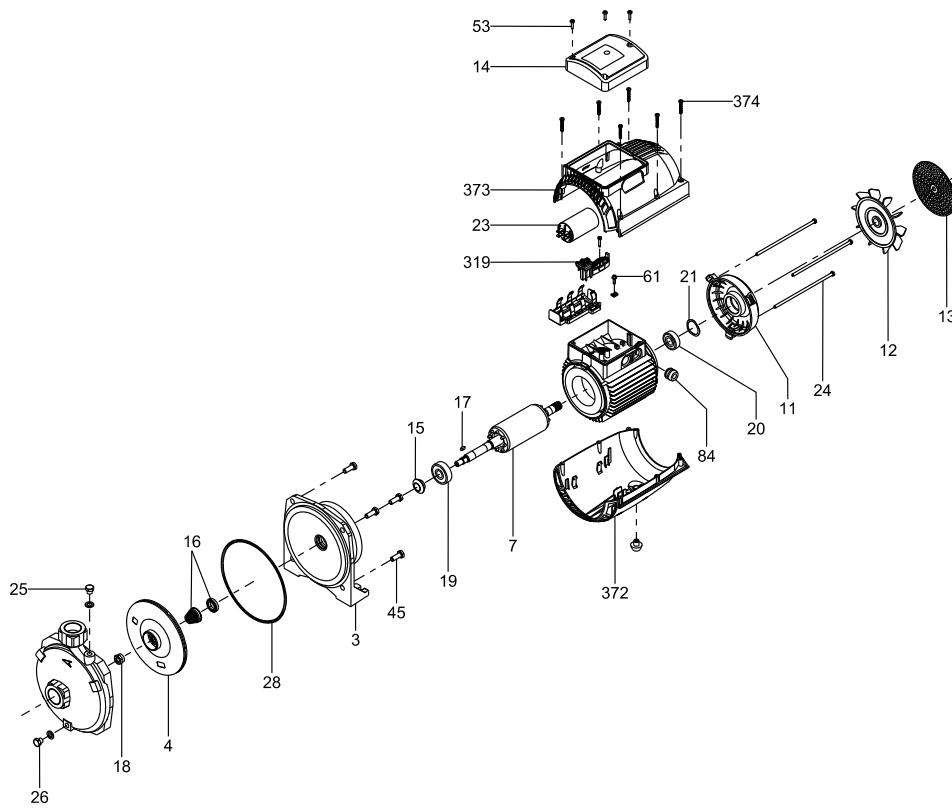
NS 3-40

TM064629



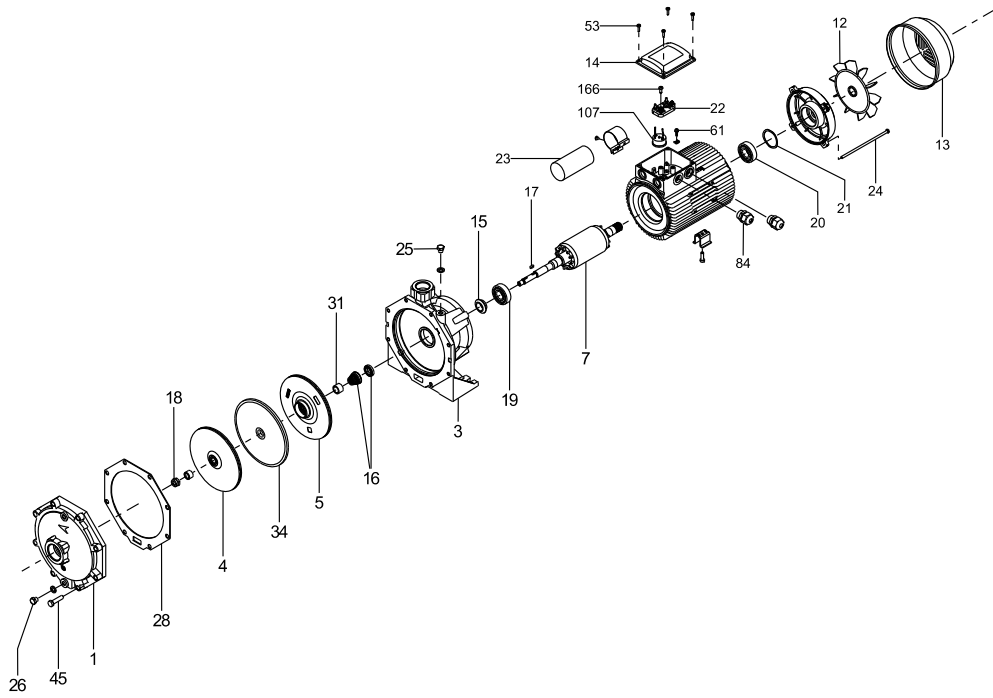
TM064628

NS 4-23



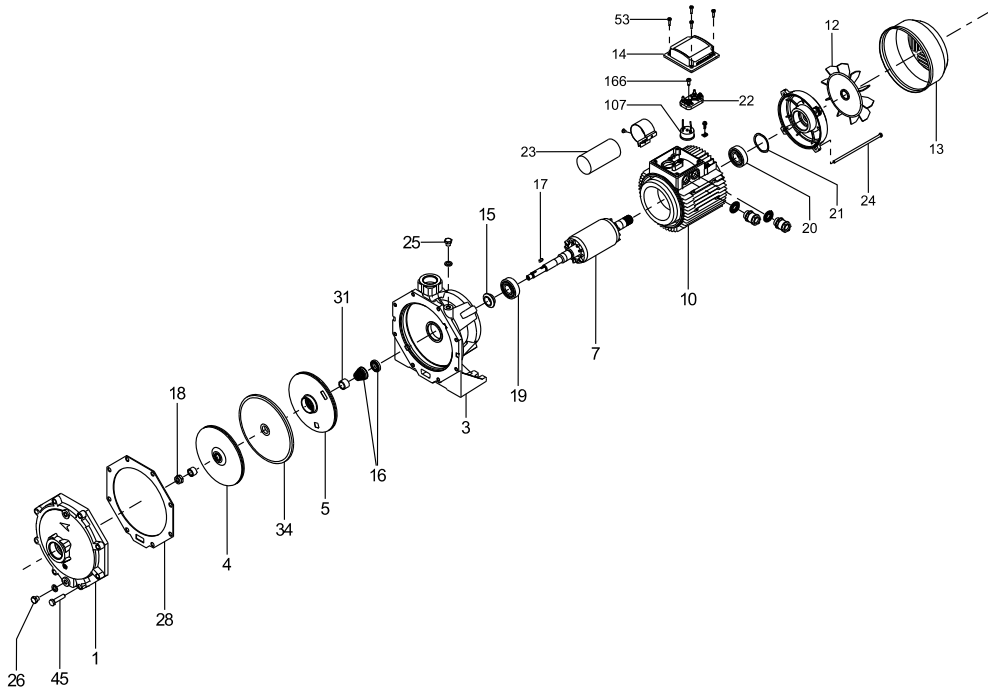
TM064630

NS 5-33



TM064632

NS 5-50



TM064631

NS 5-60

NS 6-30, NS 6-40
Shaft Seal kit

Pos.	Pump type	NS 6-30, NS 6-40
	Kit No	98937539
16	Shaft seal, stationary part	1
16	Shaft seal, rotating part	1
28	O-ring	1

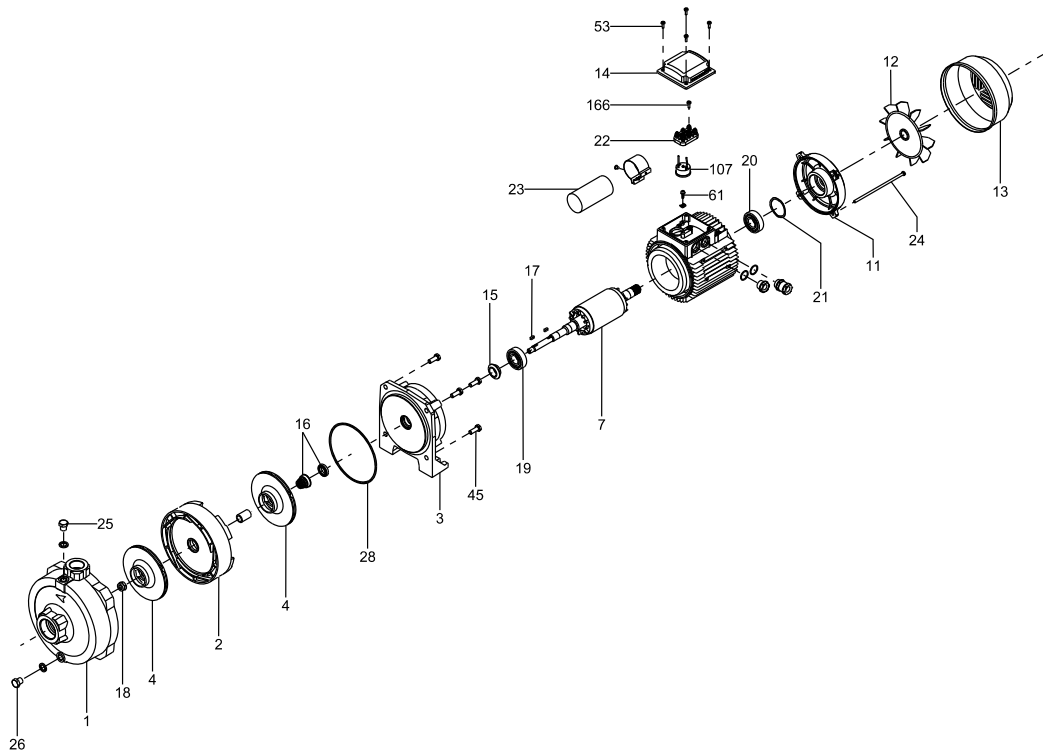
Impeller kit

Pos.	Pump type	NS 6-30	NS 6-40
	Kit No	98937559	98937560
2	Diffuser	1	1
4	Impeller	2	2
5	Impeller	-	-
28	O-ring	1	1

Bulk and spares

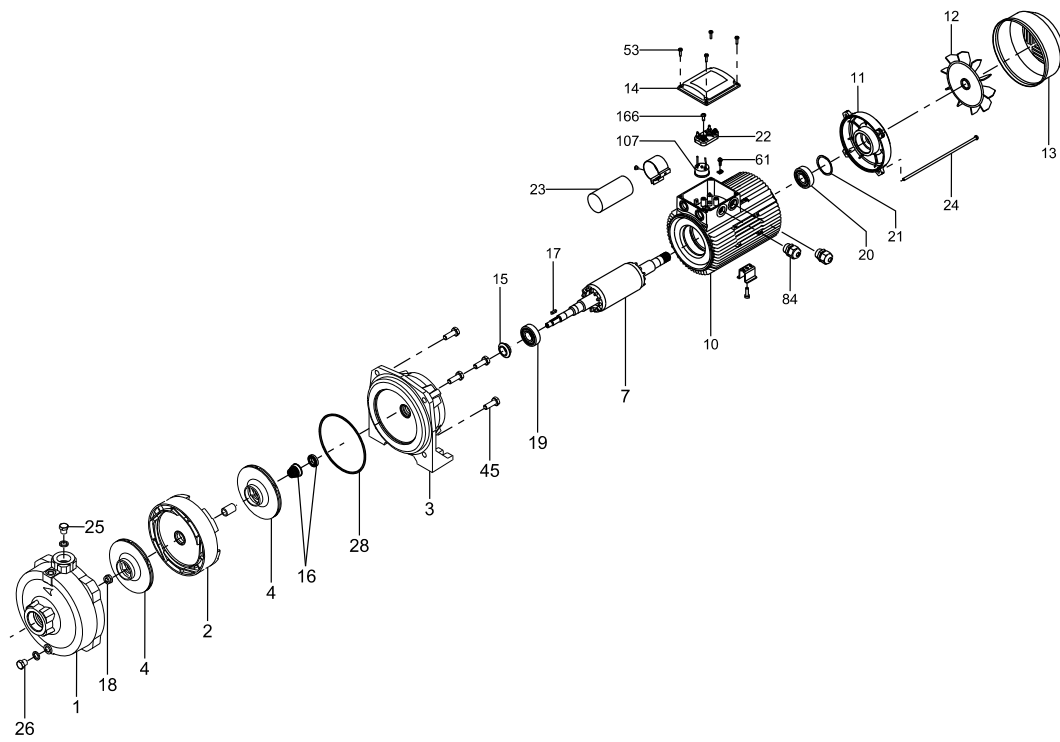
Capacitor

Pos.	Pump type	NS 5-50, NS 6-30	NS 5-60, NS 6-40, NS 30-18
	Kit No	98937570	98937571
23	Capacitor	1	1



TM064633

NS 6-30



NS 6-40

TM064634

NS 13-18, NS 30-18, NS 30-30, NS 30-36

Shaft Seal kit

Pos.	Pump type	NS 13-18,	NS 30-30,
		NS 30-18	NS 30-36
	Kit No	98937540	98937551
16	Shaft seal, stationary part	1	1
16	Shaft seal, rotating part	1	1
28	O-ring	1	1

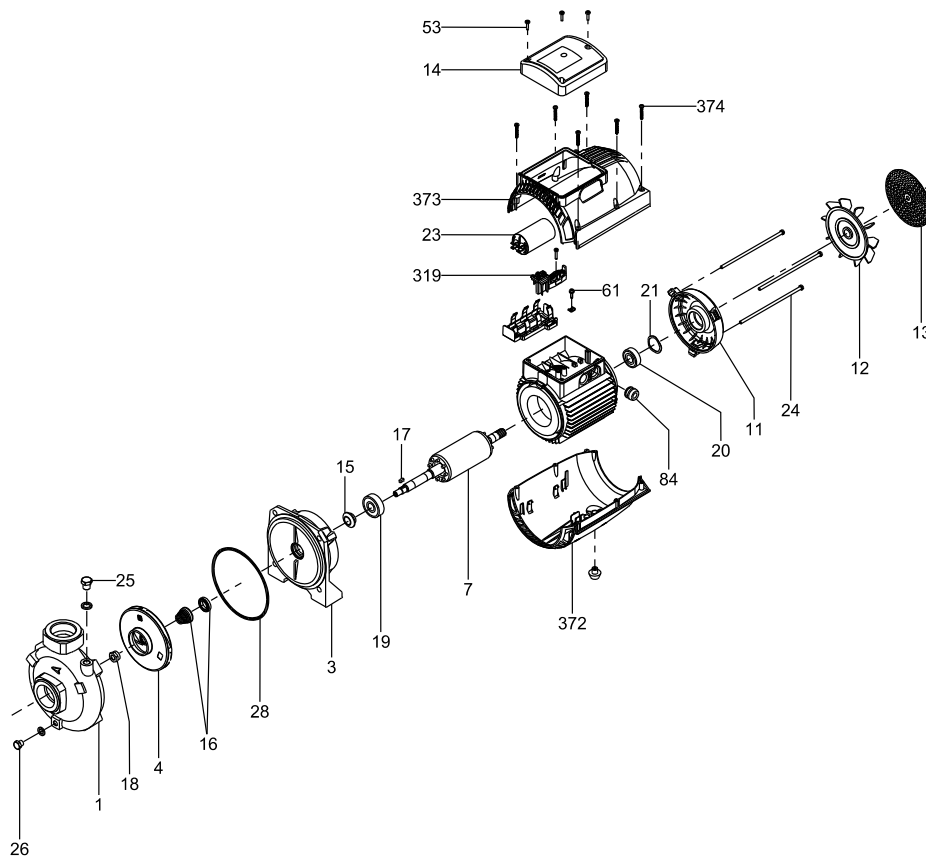
Impeller kit

Pos.	Pump type	NS 13-18	NS 30-18	NS 30-30	NS 30-36
		Kit No	98937561	98937562	98937563
2	Diffuser	-	-	-	-
4	Impeller	1	1	1	1
5	Impeller	-	-	-	-
28	O-ring	1	1	1	1
28	Gasket	-	-	-	-

Bulk and spares

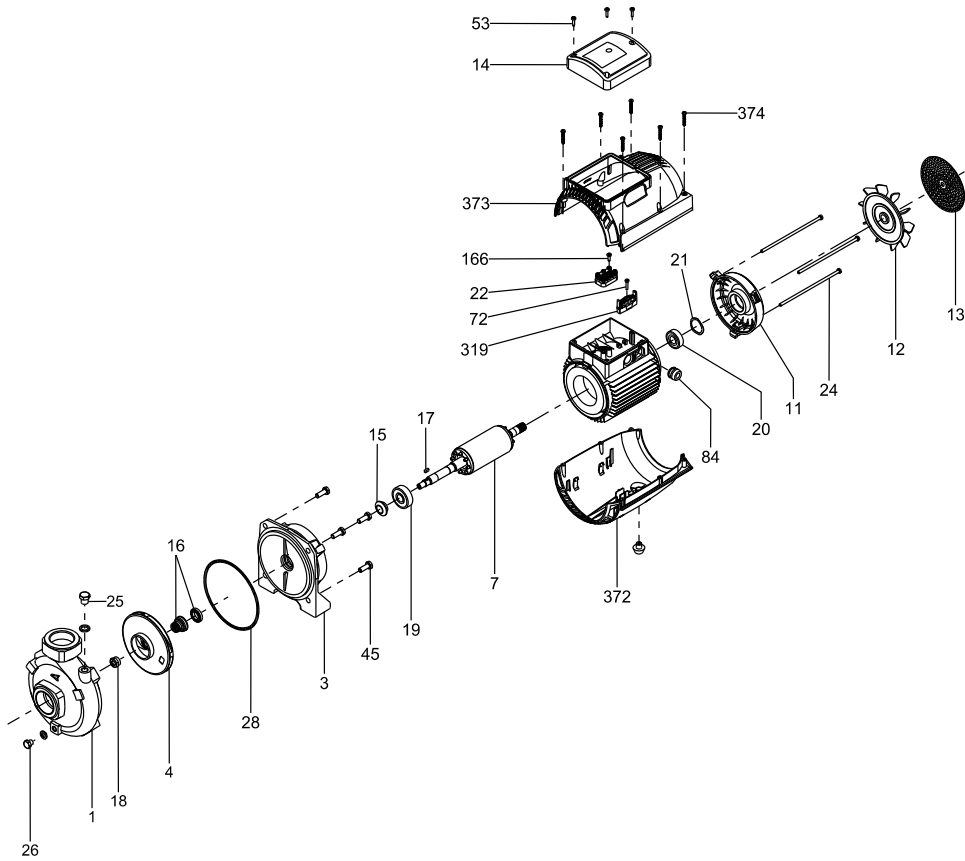
Capacitor

Pos.	Pump type	NS 5-33, NS 13-18	NS 5-60, NS 6-40, NS 30-18
		Kit No	98937569
23	Capacitor	1	1



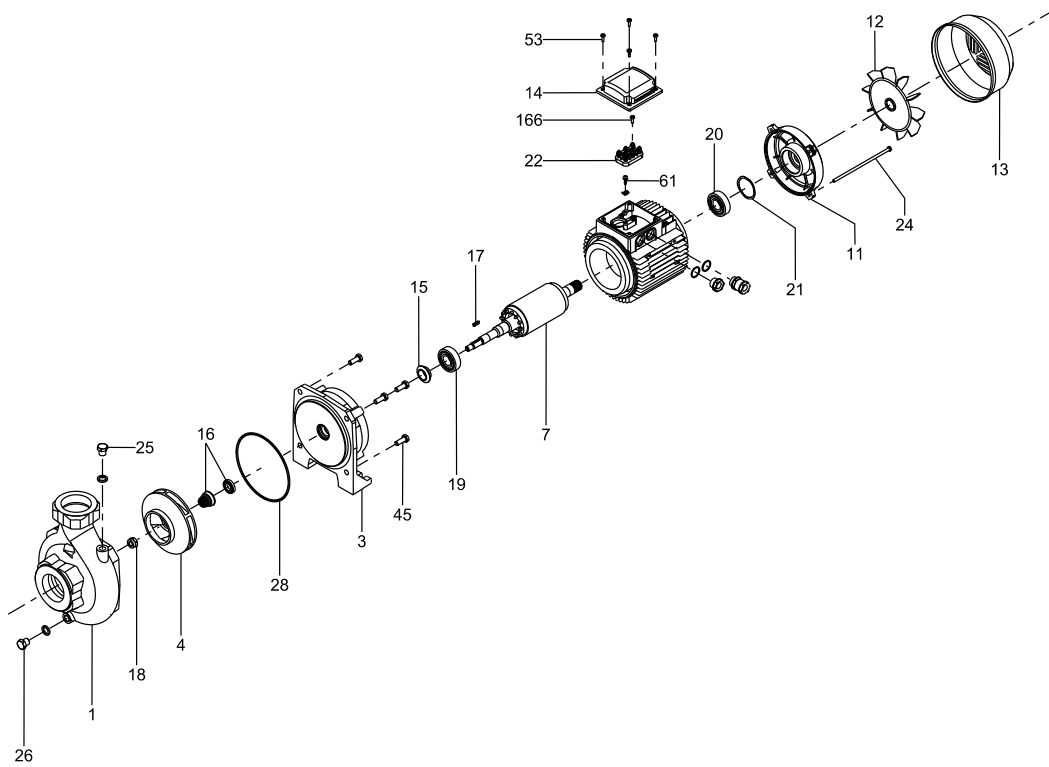
NS 13-18

TM064635



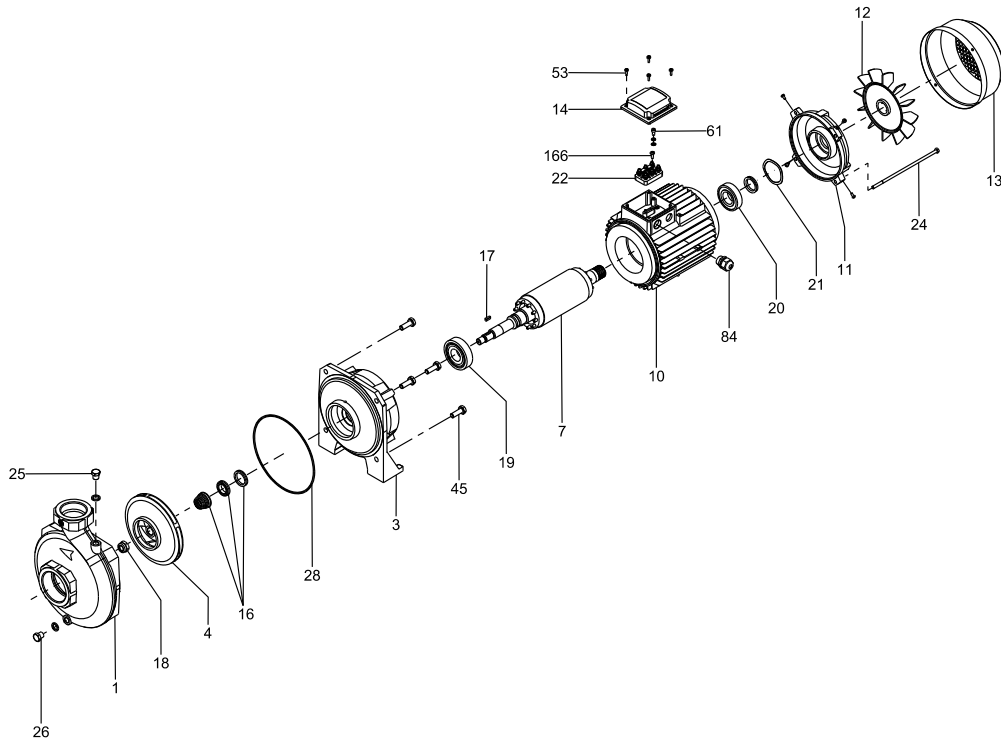
TM064640

NS 13-18 3~



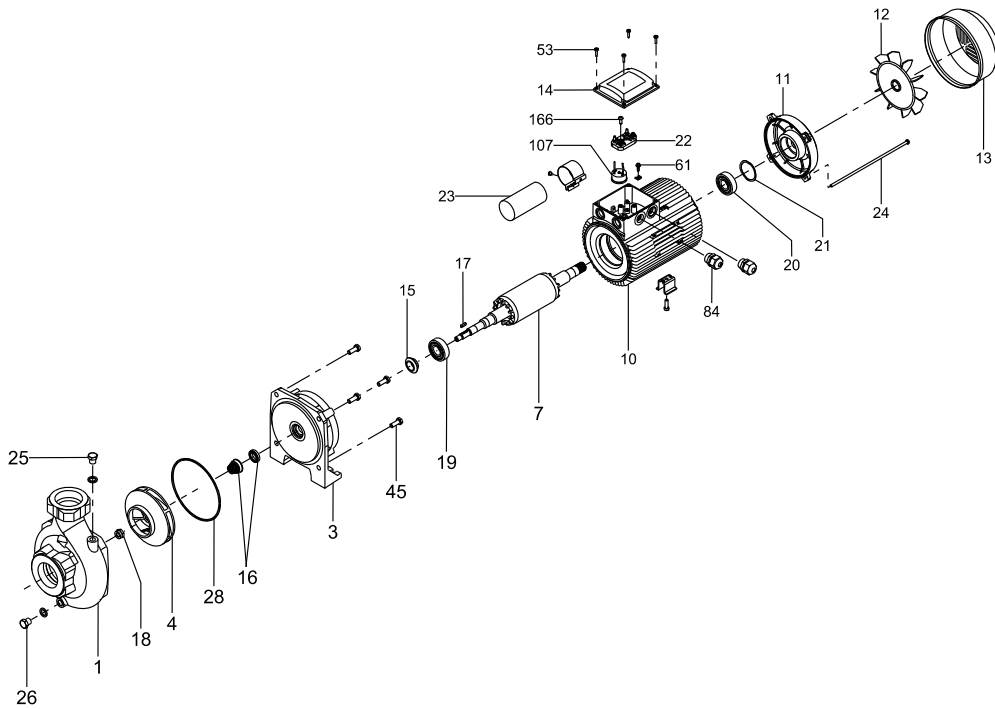
TM064637

NS 30-18 3~



TM064641

NS 30-30 3~, NS 30-36 3~



TM064636

NS 30-18

PF

50 Hz

Shaft Seal kit

Pos.	Pump type	PF 1-30	PF 2-50
	Kit No	98937552	98937553
16	Shaft seal, stationary part	1	1
16	Shaft seal, rotating part	1	1
28	O-ring	1	1

Impeller kit

Pos.	Pump type	PF 1-30	PF 2-50
	Kit No	98937565	98937566
4	Impeller	1	1
28	O-ring	1	1

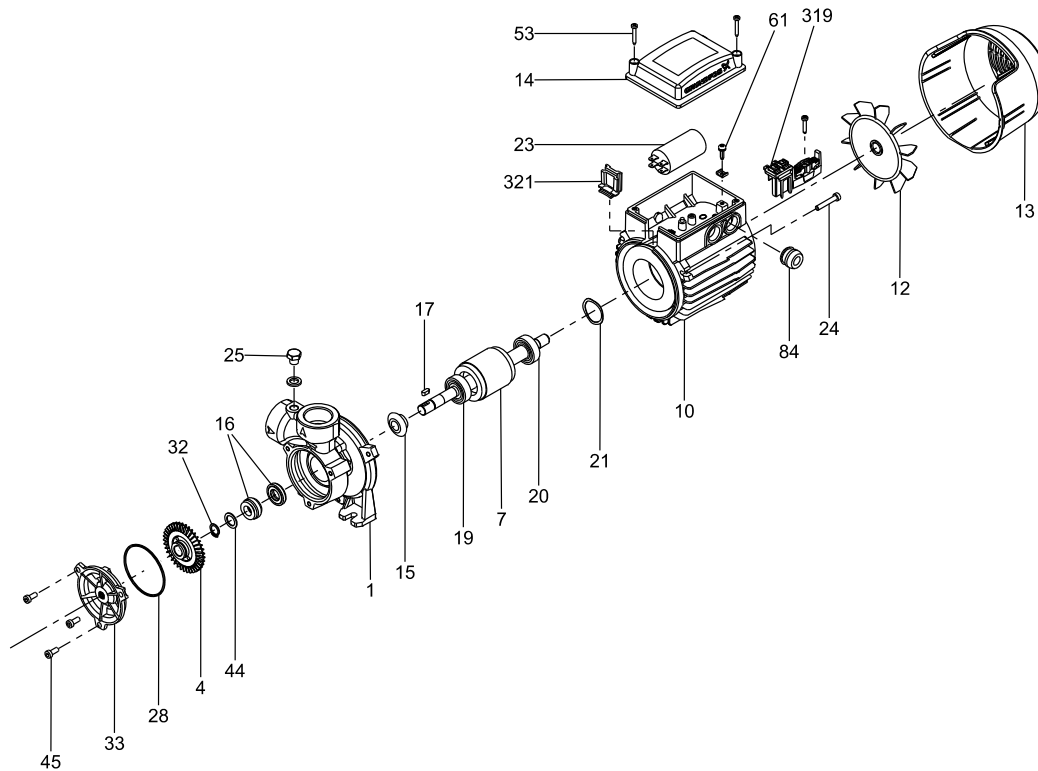
Fan and fan cover kit

Pos.	Pump type	PF 1-30	PF 2-50
	Kit No	98980032	98980034
12	Fan	1	1
13	Fan cover	1	1

Bulk and spares

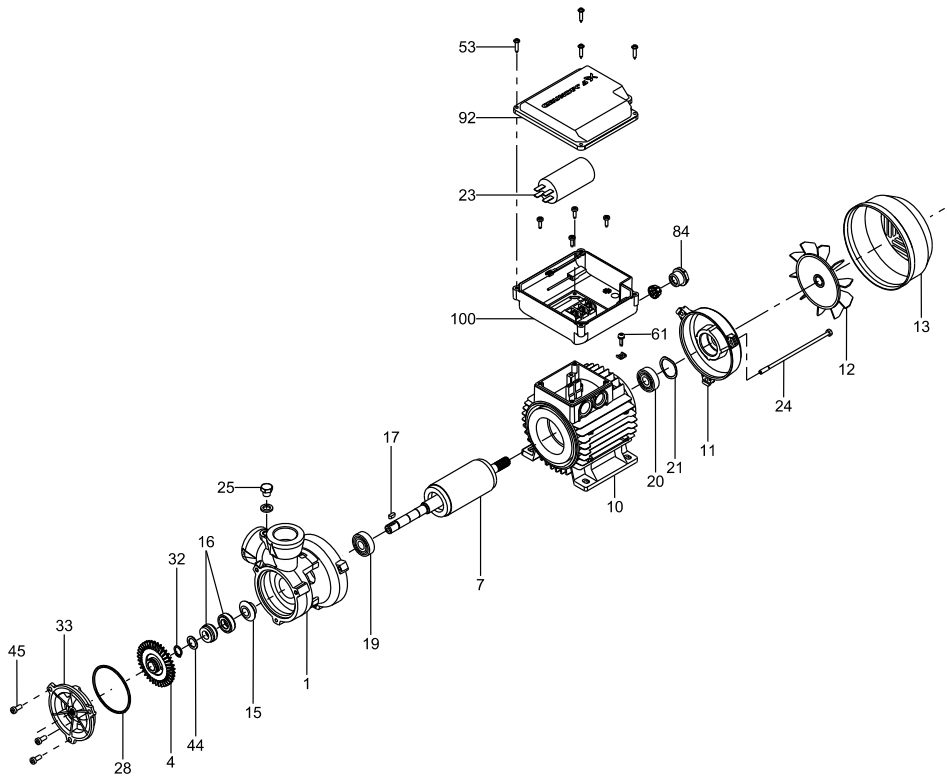
Capacitor

Pos.	Pump type	PF 1-30	PF 2-50
	Kit No	98937572	98937573
23	Capacitor	1	1



PF 2-50

TM064638



TM064639

PF 1-30

96488862 06.2022

GRUNDFOS Holding A/S
Poul Due Jensens Vej 7
DK-8850 Bjerringbro
Tel: +45 87 50 14 00
www.grundfos.com

GRUNDFOS 