

## 52. MTR

## MTR 1s, 1, 2, 3, 4, 5 and 8 (50/60 Hz)

## Shaft seal

Pos.	Kit No	96455084	96455085	96455086	96455087	96533324	96533326
	Description	HUUE	HUUV	HQQE	HQQV	HUUK	HQQK
105	Shaft seal	1	1	1	1	1	1
-	Adjusting fork	1	1	1	1	1	1

## Wear parts, MTR 1s, 1, 2, 3

Pos.	Kit No	No O-ring	96530909	-	-	-	-	-
		EPDM	-	98311342	98311345	98311346	98311347	98311348
		FKM	-	98311373	98311381	98311382	98311383	98311384
Number of chambers		2-9	10-19	20-27	29-36	37-42	43-49	
4a	Chamber with bearing	1	2	3	4	4	4	
37	Gasket	1	1	1	1	1	1	
	O-ring	-	1	1	1	1	1	
45	Neck ring	8	17	24	32	38	45	
47a	Bearing ring, rotating	1	2	3	4	4	-	
69a	Spacing pipe 30.3 mm	1	1	1	1	1	1	
64a	Spacing pipe 4 mm	1	2	3	4	4	4	
69	Spacing pipe 18 mm	7	16	23	31	37	44	
64	Spacing pipe 17 mm	7	16	23	31	37	44	
64c	Spacing pipe 9 mm	1	1	1	1	1	1	
65	Neck ring retainer	8	17	24	32	38	45	
66	Lock washer set	1	1	1	1	1	1	
67	Lock nut	1	1	1	1	1	1	
122	Simplified priming screw	1	1	1	1	1	1	
64c	Lower spacer 10.5 mm	1	1	1	1	1	1	

## Wear parts, MTR 4

Pos.	Kit No	No O-ring	99923454	-	-
		EPDM	-	99923455	99923457
		FKM	-	99923456	99923458
Number of chambers		4-7	8-16	17-22	
4a	Chamber with bearing	2	3	4	
37	Gasket	1	1	1	
	O-ring	-	1	1	
45	Neck ring	5	13	18	
47a	Bearing ring, rotating	2	3	4	
64	Spacing pipe 20 mm	2	2	2	
64a	Spacing pipe 4 mm	2	2	2	
69	Spacing pipe 27 mm	4	12	18	
64	Spacing pipe 26 mm	4	12	18	
64c	Spacing pipe 15 mm	2	2	4	
65	Neck ring retainer	5	13	18	
66	Lock washer set	1	1	1	
67	Lock nut	1	1	1	
122	Simplified priming screw	1	1	1	
64c	Lower spacer 10.5 mm	1	1	1	

## Wear parts, MTR 5

Pos.	Kit No	No O-ring	96531003	-	-	-
		EPDM	-	98311349	98311350	98311371
		FKM	-	98311385	98311386	98311388
Number of chambers		2-7	8-16	17-22	24-33	
4a	Chamber with bearing	2	3	4	6	
37	Gasket	1	1	1	1	
	O-ring	-	1	1	1	
45	Neck ring	5	13	18	27	
47a	Bearing ring, rotating	2	3	3	4	
69a	Spacing pipe 31.35 mm	1	1	1	1	
64a	Spacing pipe 4.15 mm	1	1	1	1	
69	Spacing pipe 27 mm	4	12	18	28	
64	Spacing pipe 26 mm	4	12	18	28	
64c	Spacing pipe 13 mm	2	3	3	4	
65	Neck ring retainer	5	13	18	27	
66	Lock washer set	1	1	1	1	
67	Lock nut	1	1	1	1	
122	Simplified priming screw	1	1	1	1	
64c	Lower spacer 10.5 mm	1	1	1	1	

## Wear parts, MTR 8

Pos.	Kit No	No O-ring	98788385			
		EPDM	-	98788386	98788387	98788388
		FKM	-	98807648	98807649	98807650
Number of chambers		1-7	8-16	17-22	24-31	
4a	Chamber with bearing	2	3	4	6	
37	Gasket	1	1	1	1	
	O-ring	-	1	1	1	
45	Neck ring	5	13	18	27	
47a	Bearing ring, rotating	2	3	3	4	
69a	Spacing pipe 42 mm	1	1	1	1	
64a	Spacing pipe 4.15 mm	1	1	1	1	
69	Spacing pipe 27 mm	4	12	18	28	
64	Spacing pipe 26 mm	4	12	18	28	
64c	Spacing pipe 13 mm	2	3	3	4	
65	Neck ring retainer	5	13	18	27	
66	Lock washer set	1	1	1	1	
67	Lock nut	1	1	1	1	
122	Simplified priming screw	1	1	1	1	
64c	Lower spacer 10.5 mm	1	1	1	1	

## Coupling

Pos.	Kit No	415078	415079	415062	415063	415314	415315	97689360	97899381
	Motor/pump shaft diameter x L [mm]	14/12 x 81	19/12 x 81	24/12 x 68	28/12 x 68	15.8/12 x 61	28.6/12 x 68	38/12 x 90	34,9/12 x 90
9	Screw	4	4	4	4	4	4	4	4
10	Pin	1	1	1	1	1	1	1	1
10a	Coupling half	2	2	2	2	2	2	2	2

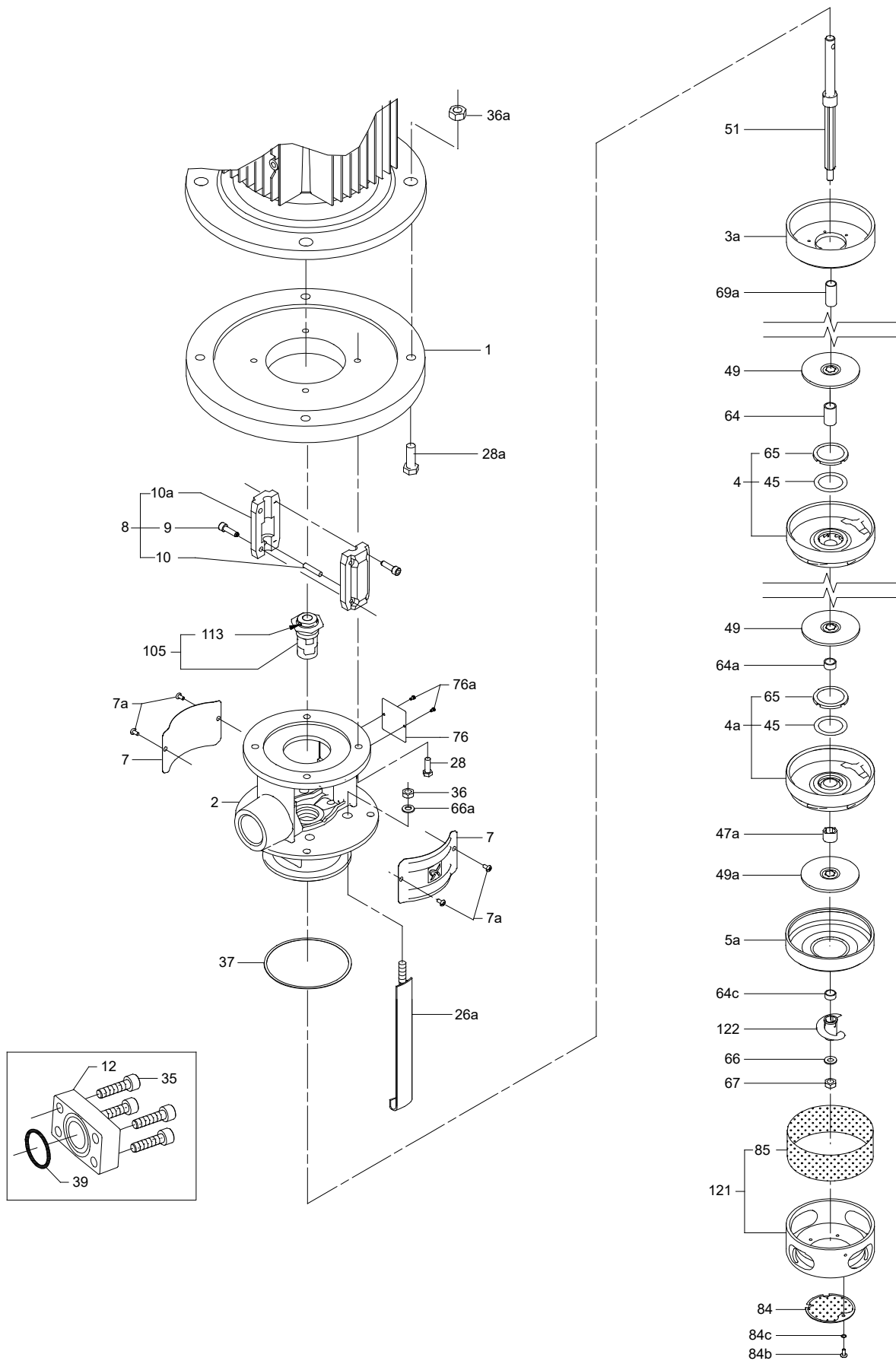
**Coupling guard**

Pos.	Kit No	96531008	97689844
	Description	5.5 to 7.5 kW	
7	Coupling guard	2	2
7a	Screw	4	4

**Metal terminal box, MG 71/80**

Pos.	Kit No	405179
	Description	
164a	Terminal box with gasket	1
164	Terminal box cover with gasket	1
166	Screw	4
175	Screw	4
176	Terminal complete	1

MTR 1s, 1, 2, 3, 4, 5, 8



TM032918

## MTR 1s, 1, 2, 3, 4, 5 and 8 with drainage back to tank (50/60 Hz)

### Shaft seal

Pos.	Kit No	98584426	98928902
	Description	AQQV	AQQE
105	Shaft seal	1	1
183	Lip seal	1	1
37	Gasket	1	1
37	D-ring	1	1
-	Adjusting fork	1	1

### Wear parts, MTR 1s, 1, 2, 3 with drainage back to tank

Pos.	Kit No	No O-ring	96530909	-	-	-	-	
		EPDM	-	98311342	98311345	98311346	98311347	98311348
		FKM	-	98311373	98311381	98311382	98311383	98311384
Number of chambers		2-9	10-19	20-27	29-36	37-42	43-49	
4a	Chamber with bearing	1	2	3	4	4	4	
37	Gasket	1	1	1	1	1	1	
	O-ring	-	1	1	1	1	1	
45	Neck ring	8	17	24	32	38	45	
47a	Bearing ring, rotating	1	2	3	4	4	-	
69a	Spacing pipe 30.3 mm	1	1	1	1	1	1	
64a	Spacing pipe 4.15 mm	1	2	3	4	4	4	
69	Spacing pipe 18 mm	7	16	23	31	37	44	
64	Spacing pipe 17 mm	7	16	23	31	37	44	
64c	Spacing pipe 9 mm	1	1	1	1	1	1	
65	Neck ring retainer	8	17	24	32	38	45	
66	Lock washer set	1	1	1	1	1	1	
67	Lock nut	1	1	1	1	1	1	
122	Simplified priming screw	1	1	1	1	1	1	
64c	Lower spacer 10.5 mm	1	1	1	1	1	1	

### Wear parts, MTR 4

Pos.	Kit No	No O-ring	99923454	-	-
		EPDM	-	99923455	99923457
		FKM	-	99923456	99923458
Number of chambers		4-7	8-16	17-22	
4a	Chamber with bearing	2	3	4	
37	Gasket	1	1	1	
	O-ring	-	1	1	
45	Neck ring	5	13	18	
47a	Bearing ring, rotating	2	3	4	
64	Spacing pipe 20 mm	2	2	2	
64a	Spacing pipe 4 mm	2	2	2	
69	Spacing pipe 27 mm	4	12	18	
64	Spacing pipe 26 mm	4	12	18	
64c	Spacing pipe 15 mm	2	2	4	
65	Neck ring retainer	5	13	18	
66	Lock washer set	1	1	1	
67	Lock nut	1	1	1	
122	Simplified priming screw	1	1	1	
64c	Lower spacer 10.5 mm	1	1	1	

## Wear parts, MTR 5 with drainage back to tank

Pos.	Kit No	No O-ring	96531003	-	-	-
		EPDM	-	98311349	98311350	98311371
		FKM	-	98311385	98311386	98311388
Number of chambers		2-7	8-16	17-22	24-33	
4a	Chamber with bearing	2	3	4	6	
37	Gasket	1	1	1	1	
	O-ring	-	1	1	1	
45	Neck ring	5	13	18	27	
47a	Bearing ring, rotating	2	3	3	4	
69a	Spacing pipe 31.35 mm	1	1	1	1	
64a	Spacing pipe 4.15 mm	1	1	1	1	
69	Spacing pipe 27 mm	4	12	18	28	
64	Spacing pipe 26 mm	4	12	18	28	
64c	Spacing pipe 13 mm	2	3	3	4	
65	Neck ring retainer	5	13	18	26	
66	Lock washer set	1	1	1	1	
67	Lock nut	1	1	1	1	
122	Simplified priming screw	1	1	1	1	
64c	Lower spacer 10.5 mm	1	1	1	1	

## Wear parts, MTR 8 with drainage back to tank

Pos.	Kit No	No O-ring	98788385			
		EPDM	-	98788386	98788387	98788388
		FKM	-	98807648	98807649	98807650
Number of chambers		1-7	8-16	17-22	24-31	
4a	Chamber with bearing	2	3	4	6	
37	Gasket	1	1	1	1	
	O-ring	-	1	1	1	
45	Neck ring	5	13	18	27	
47a	Bearing ring, rotating	2	3	3	4	
69a	Spacing pipe 42 mm	1	1	1	1	
64a	Spacing pipe 4.15 mm	1	1	1	1	
69	Spacing pipe 27 mm	4	12	18	28	
64	Spacing pipe 26 mm	4	12	18	28	
64c	Spacing pipe 13 mm	2	3	3	4	
65	Neck ring retainer	5	13	18	27	
66	Lock washer set	1	1	1	1	
67	Lock nut	1	1	1	1	
122	Simplified priming screw	1	1	1	1	
64c	Lower spacer 10.5 mm	1	1	1	1	

## Coupling

Pos.	Kit No	415078	415079	415062	415063	415314	415315	97689360	97899381
		Motor/pump shaft diameter x L [mm]	14/12 x 81	19/12 x 81	24/12 x 68	28/12 x 68	15.8/12 x 61	28.6/12 x 68	38/12 x 90
9	Screw	4	4	4	4	4	4	4	4
10	Pin	1	1	1	1	1	1	1	1
10a	Coupling half	2	2	2	2	2	2	2	2

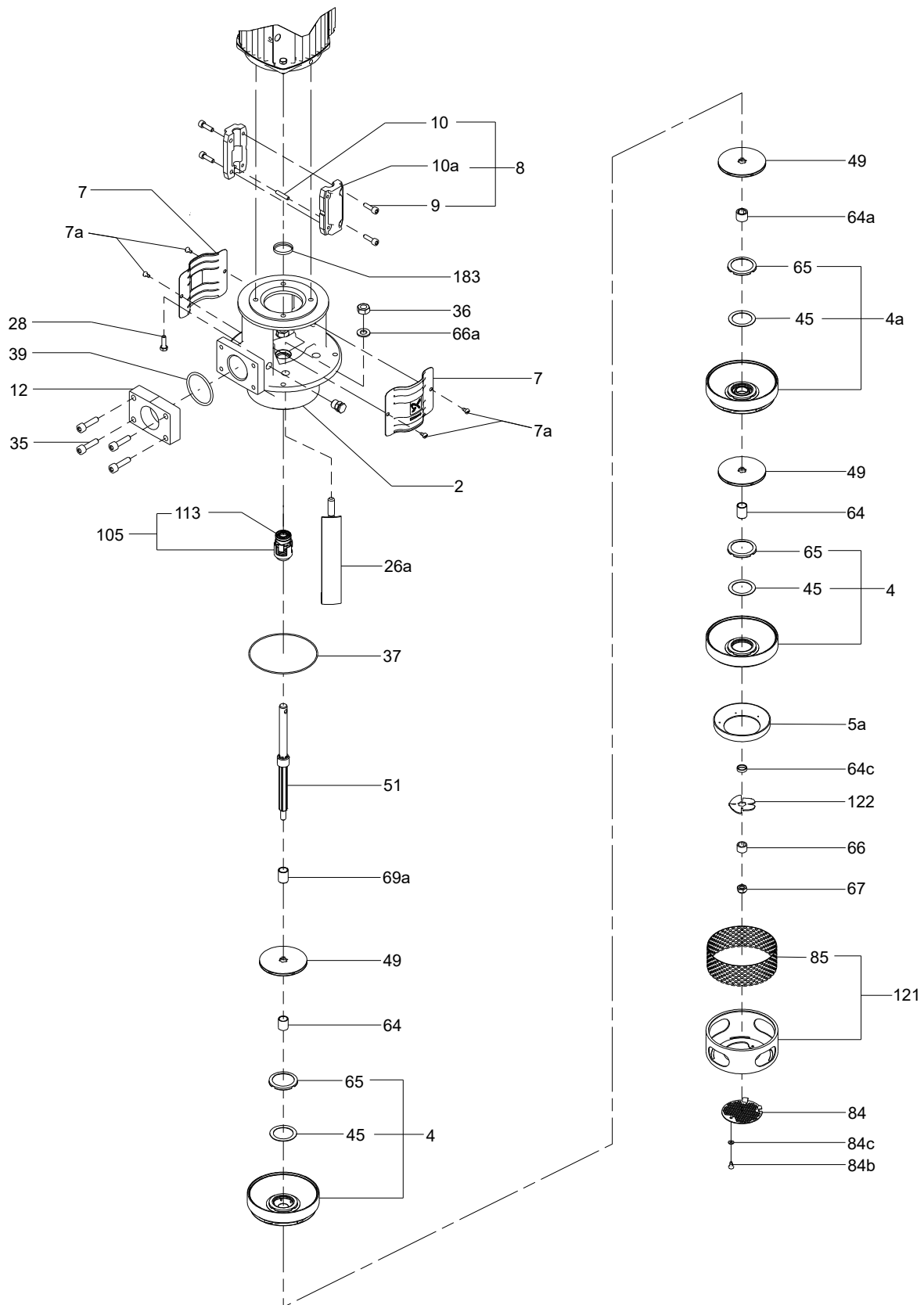
**Coupling guard**

Pos.	Kit No	96531008	97689844
	Description	5.5 to 7.5 kW	
7	Coupling guard	2	2
7a	Screw	4	4

**Metal terminal box, MG 71/80**

Pos.	Kit No	405179
	Description	
164a	Terminal box with gasket	1
164	Terminal box cover with gasket	1
166	Screw	4
175	Screw	4
176	Terminal complete	1

MTR 1s, 1, 2, 3, 4, 5, 8 with drainage back to tank



TM081434



## MTR 10, 15 and 20

### Shaft seal

Pos.	Kit No	96511840	96511841	96511844	96511845	96511842	96511846
	Description	HUUE	HUUV	HQQE	HQQV	HUUK	HQQK
105	Shaft seal	1	1	1	1	1	1
-	Adjusting fork	1	1	1	1	1	1

### Wear parts, MTR 10

Pos.	Kit No	96531041	96531042	96531043	97689849	97689850
	Number of chambers	2-9	10-16	18-22	23-27	28-31
4a	Chamber with bearing	2	3	3	4	4
37	Gasket	1	1	1	1	1
45	Neck ring	7	13	19	23	27
47a	Bearing ring, rotating	2	3	3	4	4
64a	Spacing pipe 6 mm	2	3	3	4	6
64e	Spacing pipe 7 mm	1	2	2	3	3
64	Spacing pipe 9 mm	2	3	3	4	4
64b	Spacing pipe 11 mm	1	1	1	1	1
69a	Spacing pipe 18 mm	1	1	1	1	1
69	Spacing pipe 29 mm	6	12	18	22	26
64d	Spacing pipe 30 mm	6	12	18	22	26
65	Neck ring retainer	7	13	19	23	27
66	Lock washer set	1	1	1	1	1
122	Priming screw	1	1	1	1	1
64c	Lower spacer	1	1	1	1	1

### Wear parts, MTR 15, 20

Pos.	Kit No	96531044	96531045	97689487
	Number of chambers	2-9	10-17	18-21
4a	Chamber with bearing	2	3	3
37	Gasket	1	1	1
45	Neck ring	7	14	18
47a	Bearing ring, rotating	2	3	3
64e	Spacing pipe 7 mm	2	2	2
64b	Spacing pipe 11 mm	1	1	1
64a	Spacing pipe 12.6 mm	2	3	3
64	Spacing pipe 17 mm	2	3	3

Pos.	Kit No	96531044	96531045	97689487
	Number of chambers	2-9	10-17	18-21
69a	Spacing pipe 25.6 mm	1	1	1
69	Spacing pipe 43.6 mm	6	13	17
64d	Spacing pipe 45 mm	6	13	17
65	Neck ring retainer	7	14	18
66	Lock washer set	1	1	1
122	Priming screw	1	1	1
64c	Lower spacer	1	1	1

### Coupling

Pos.	Kit No	339169	339124	339128	339138	339142	425260	425261	425262	425263
	Motor/pump shaft diameter x L [mm]	19/16 x 82	24/16 x 68	28/16 x 68	38/16 x 90	42/16 x 105	15.9/16 x 63	28.6/16 x 90	34.9/16 x 90	41.3/16 x 105
9	Screw	4	4	4	4	4	4	4	4	4
10	Pin	1	1	1	1	1	1	1	1	1
10a	Coupling half	2	2	2	2	2	2	2	2	2

### Coupling guard

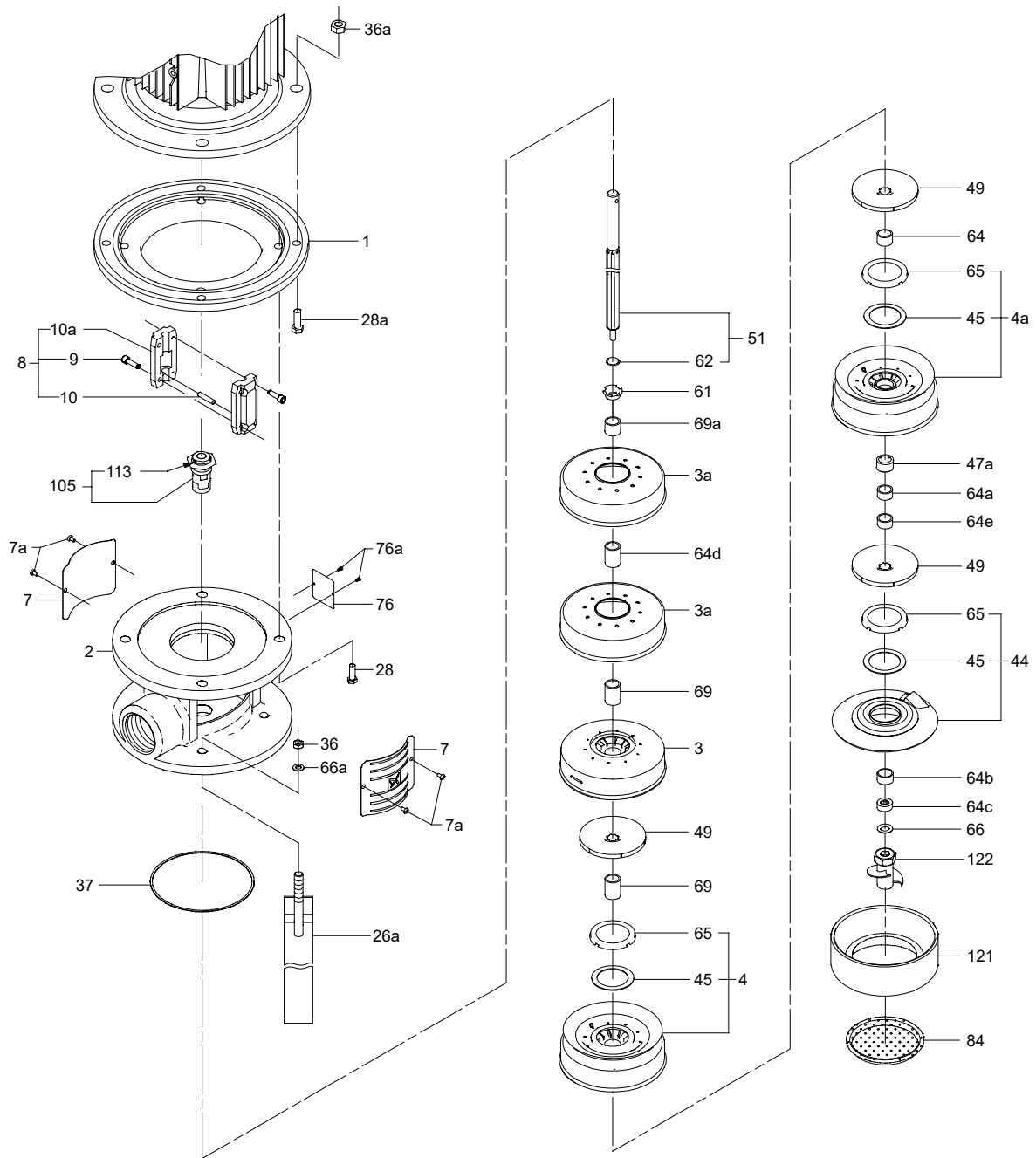
Pos.	Kit No	96531046	96531047	96531048
	Description	84.5 x 131.8 mm	84.5 x 104 mm	131.8 x 125 mm
7	Coupling guard	2	2	2
7a	Screw	4	4	4

### Metal terminal box, MG 71/80

Pos.	Kit No	405179
	Description	
164a	Terminal box with gasket	1
164	Terminal box cover with gasket	1
166	Screw	4
175	Screw	4

Pos.	Kit No	405179
	Description	
176	Terminal complete	1

MTR 10, 15, 20



TM028026

**MTR 10, 15 and 20 with drainage back to tank****Shaft seal**

Pos.	Kit No	98873610	98979871
	Description	AQQV	AQQE
105	Shaft seal	1	1
183	Lip seal	1	1
37	Gasket	1	1
-	Adjusting fork	1	1

**Wear parts, MTR 10**

Pos.	Kit No	96531041	96531042	96531043	97689849	97689850
	Number of chambers	2-9	10-16	18-22	23-27	28-31
4a	Chamber with bearing	2	3	3	4	4
37	Gasket	1	1	1	1	1
45	Neck ring	7	13	19	23	27
47a	Bearing ring, rotating	2	3	3	4	4
64a	Spacing pipe 6 mm	2	3	3	4	6
64e	Spacing pipe 7 mm	1	2	2	3	3
64	Spacing pipe 9 mm	2	3	3	4	4
64b	Spacing pipe 11 mm	1	1	1	1	1
69a	Spacing pipe 18 mm	1	1	1	1	1
69	Spacing pipe 29 mm	6	12	18	22	26
64d	Spacing pipe 30 mm	6	12	18	22	26
65	Neck ring retainer	7	13	19	23	27
66	Lock washer	1	1	1	1	1
122	Priming screw	1	1	1	1	1
64c	Lower spacer	1	1	1	1	1

**Wear parts, MTR 15, 20**

Pos.	Kit No	96531044	96531045	97689487
	Number of chambers	2-9	10-17	18-21
4a	Chamber with bearing	2	3	3
37	Gasket	1	1	1
45	Neck ring	7	14	18
47a	Bearing ring, rotating	2	3	3
64e	Spacing pipe 7 mm	2	2	2
64b	Spacing pipe 11 mm	1	1	1
64a	Spacing pipe 12.6 mm	2	3	3
64	Spacing pipe 17 mm	2	3	3
69a	Spacing pipe 25.6 mm	1	1	1
69	Spacing pipe 43.6 mm	6	13	17
64d	Spacing pipe 45 mm	6	13	17
65	Neck ring retainer	7	14	18
66	Lock washer	1	1	1
122	Priming screw	1	1	1
64c	Lower spacer	1	1	1

**Coupling**

Pos.	Kit No	339169	339124	339128	339138	339142	425260	425261	425262	425263
	Motor/pump shaft diameter x L [mm]	19/16 x 82	24/16 x 68	28/16 x 68	38/16 x 90	42/16 x 105	15.9/16 x 63	28.6/16 x 90	34.9/16 x 90	41.3/16 x 105
9	Screw	4	4	4	4	4	4	4	4	4
10	Pin	1	1	1	1	1	1	1	1	1
10a	Coupling half	2	2	2	2	2	2	2	2	2

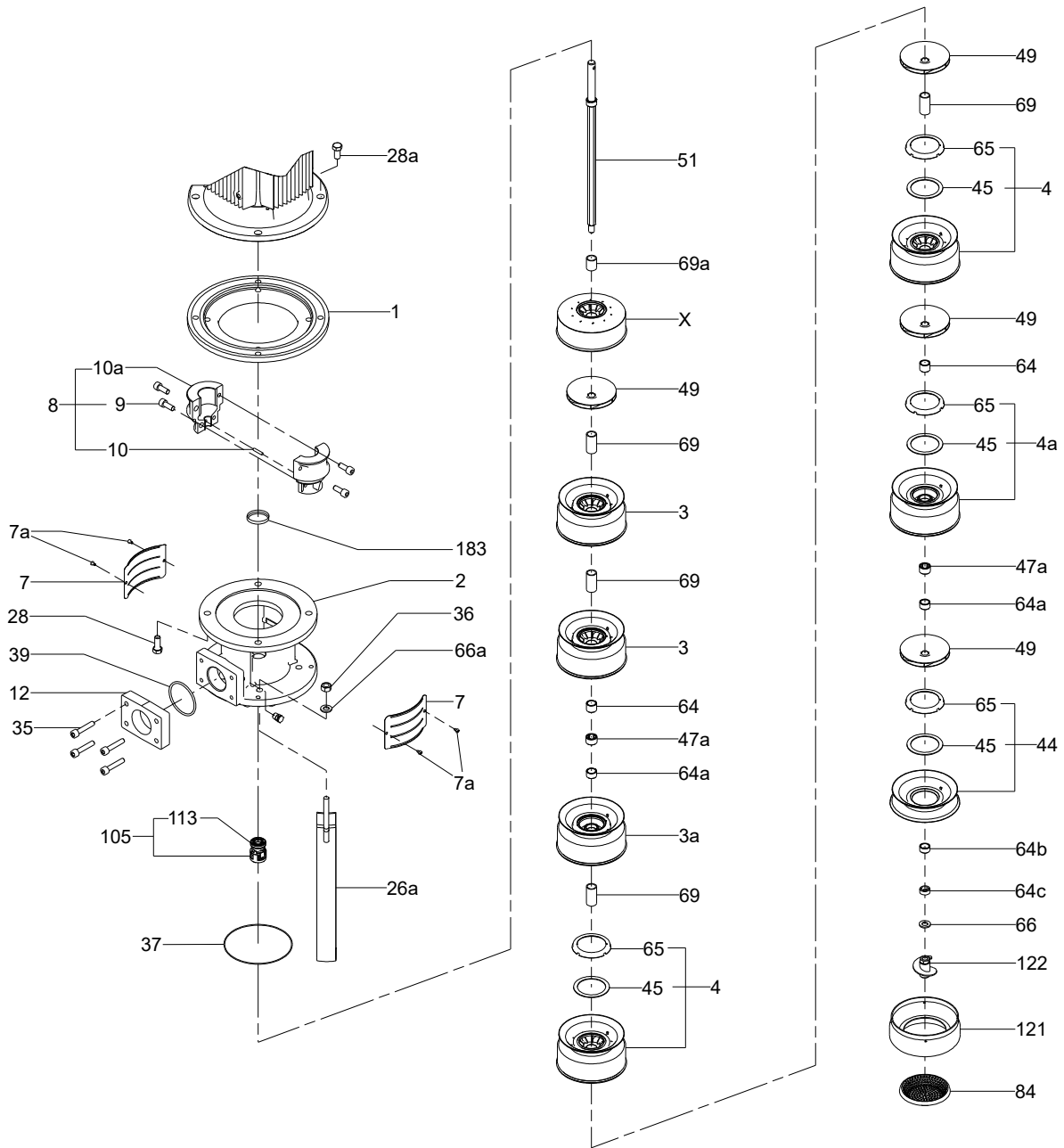
**Coupling guard**

Pos.	Kit No	96531046	96531047	96531048
	Description	84.5 x 131.8 mm	84.5 x 104 mm	131.8 x 125 mm
7	Coupling guard	2	2	2
7a	Screw	4	4	4

**Metal terminal box, MG 71/80**

Pos.	Kit No	405179
	Description	
164a	Terminal box with gasket	1
164	Terminal box cover with gasket	1
166	Screw	4
175	Screw	4
176	Terminal complete	1

MTR 10, 15, 20 with drainage back to tank



TM081435

## MTR 32, 45 and 64

### Shaft seal

Pos.	Kit No	96441768	96525458	96525490	96436727	96533367	96533369
	Description	HUUV	HQQE	HQQV	HUUE	HUUK	HQQK
105	Shaft seal	1	1	1	1	1	1

### Wear parts, MTR 32

Pos.	Kit No	96430767	96491254	96491255	96430768	96491256	96430769	97689525	97689526	97689527
	Number of chambers	1-4	5-8	9-14	5-8	9-14	9-14	15-18	15-18	15-18
	Number of impellers	1-4	1-3	1-3	5-8	4-8	9-12	1-3	4-8	9-12
37	O-ring	4	8	14	4	11	6	18	15	10
45	Neck ring	4	4	4	8	8	12	4	8	12
47	Bearing (Graflon)	1	1	1	2	2	3	1	2	3
47	Bearing (SiC)	1	1	1	2	2	3	1	2	3
47c	Bush	3	3	3	6	6	9	3	6	9
47d	Lock ring	4	4	4	8	8	12	4	8	12
49c	Wear ring	4	4	4	8	8	12	4	8	12
65	Neck ring retainer	4	4	4	8	8	12	4	8	12

### Wear parts, MTR 45

Pos.	Kit No	96430773	96491257	96491370	96430775	96491371	97689529	97689530
	Number of chambers	1-4	5-8	9-12	5-8	9-12	13-17	13-17
	Number of impellers	1-4	1-3	1-3	4-8	4-8	1-3	4-8
37	O-ring 160 x 2	4	8	12	5	9	17	14
45	Neck ring	4	4	4	8	8	4	8
47	Bearing (Graflon)	1	1	1	2	2	1	2
47	Bearing (SiC)	1	1	1	2	2	1	2
47c	Bush	3	3	3	6	6	3	6
47d	Lock ring	4	4	4	8	8	4	8
49c	Wear ring	4	4	4	8	8	4	8
65	Neck ring retainer	4	4	4	8	8	4	8

### Wear parts, MTR 64

Pos.	Kit No	96430819	96491372	96491373	96430820	96491374	97689976	97689977
	Number of chambers	1-4	5-8	9-12	5-8	9-12	13-17	13-17
	Number of impellers	1-4	1-3	1-3	4-5	4-5	1-3	4-5
37	O-ring 160 x 2	4	8	12	5	9	17	14
45	Neck ring	4	4	4	5	5	4	5
47	Bearing (Graflon)	1	1	1	2	2	1	2
47	Bearing (SiC)	1	1	1	2	2	1	2
47c	Bush	3	3	3	3	3	3	3
47d	Lock ring	4	4	4	5	5	4	5
49c	Wear ring	4	4	4	5	5	4	5
65	Neck ring retainer	4	4	4	5	5	4	5

### Bearing

Pos.	Pump type	MTR 32			MTR 45		MTR 64	
	Number of chambers	1-4	5-8	9-18	1-4	5-17	1-4	5-17
	Kit No	96430821	96430822	96430823	96430824	96430825	96430826	96430827
47a	Bearing	1	2	3	1	2	1	2

**Coupling complete**

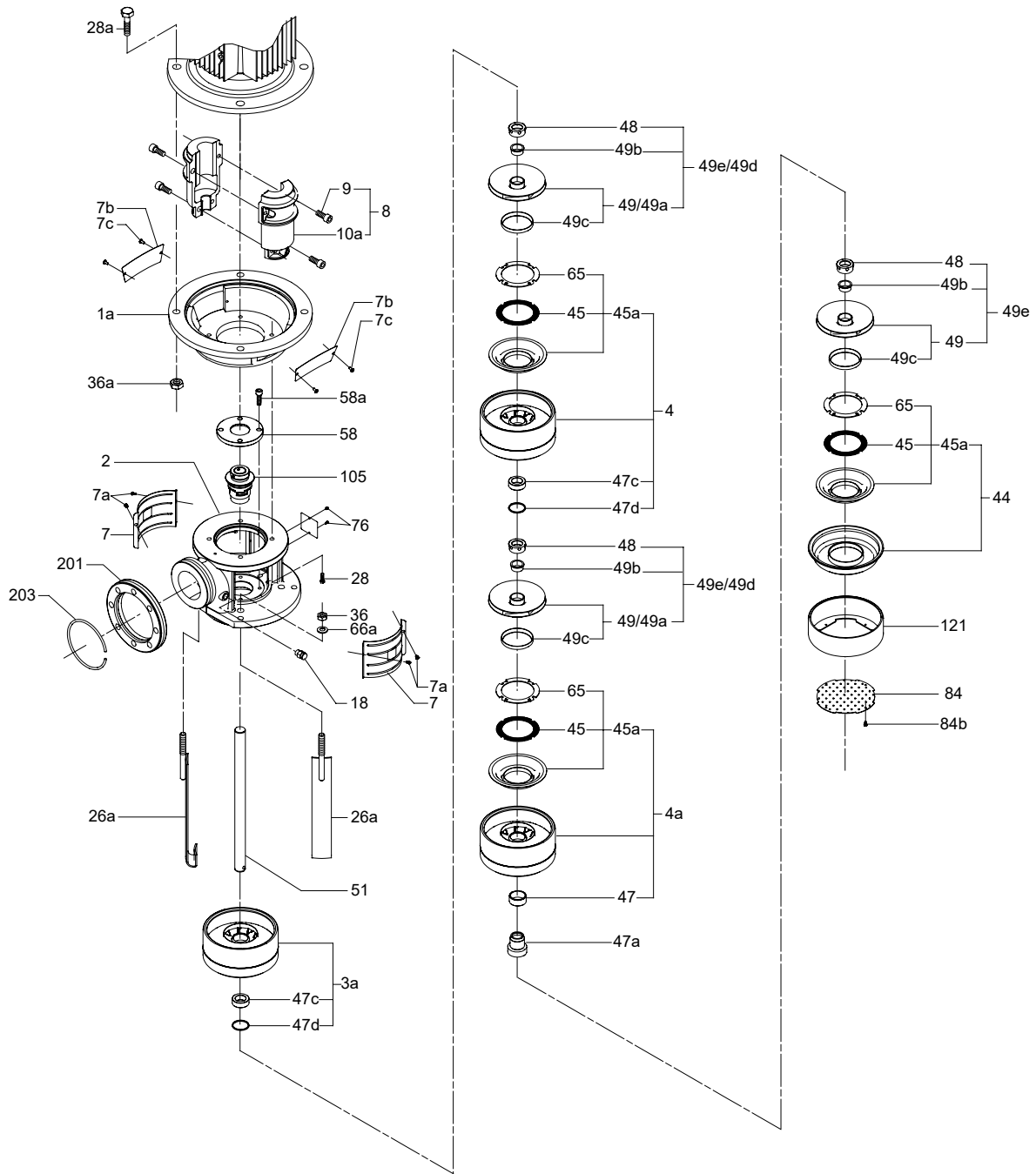
Pos.	Motor/pump shaft diameter [mm]	24/22	28/22	38/22	42/22	48/22	55/22	28.6/22	34.9/22	41.2/22
	Kit No	96430829	96430830	96430831	96430832	96430833	96430834	96430835	96430836	96430837
8	Coupling	1	1	1	1	1	1	1	1	1

**Kit, bearing**

Pos.	Description	98629744
47	Bearing ring	3
47d	Lock ring	3



MTR 32, 45, 64



TW014626

**MTR 32, 45, 64, 90, model B****Shaft seal**

Pos.	Kit No	96441768	96525458	96525490	96436727	96533367	96533369
	Description	HUUV	HQQE	HQQV	HUUE	HUUK	HQQK
105	Shaft seal	1	1	1	1	1	1

**Wear parts, MTR 32**

Pos.	Kit No	98628296	98628298	98628337	98629661	98629668	98629669	98629682	98629683	98629684
	Number of chambers	1-4	5-8	9-12	5-8	9-14	9-14	15-18	15-18	15-18
	Number of impellers	1-4	1-3	1-3	5-8	4-8	9-14	1-3	4-8	9-14
45	Seal ring	4	4	4	8	8	14	4	8	14
47c	Bush	3	3	3	6	6	9	3	6	9
47d	Lock ring	4	4	4	8	8	14	4	8	14
49c	Wear ring	4	4	4	8	8	14	4	8	14
65	Top for neck ring	4	4	4	8	8	14	4	8	14
37	O-ring	4	8	14	4	11	6	6	15	10
-	Adjustment fork	1	1	1	1	1	1	1	1	1

**Wear parts, MTR 45**

Pos.	Kit No	98629686	98629689	98629690	98629716	98629718	98629719	98629732
	Number of chambers	1-4	5-8	9-12	5-8	9-12	13-17	13-17
	Number of impellers	1-4	1-3	1-3	4-8	4-8	1-3	4-8
45	Seal ring	4	4	4	8	8	4	8
47c	Bush	3	3	3	6	6	3	6
47d	Lock ring	4	4	4	8	8	4	8
49c	Wear ring	4	4	4	8	8	4	8
65	Top for neck ring	4	4	4	8	8	4	8
37	O-ring	4	8	12	5	9	13	13
64a	Spacer	1	1	1	1	1	1	1
-	Adjustment fork	1	1	1	1	1	1	1

**Wear parts, MTR 64**

Pos.	Kit No	98629735	98629736	98629738	98629739	98629740	98629741	98629743
	Number of chambers	1-4	5-8	9-12	5-8	9-12	13-17	13-17
	Number of impellers	1-4	1-3	1-3	4-5	4-5	1-3	4-5
45	Seal ring	4	4	4	5	5	4	5
47c	Bush	3	3	3	3	4	3	3
47d	Lock ring	4	4	4	5	5	4	5
49c	Wear ring	4	4	4	5	5	4	5
65	Top for neck ring	4	4	4	5	5	4	5
37	O-ring	4	8	8	5	8	8	8
64a	Spacer	1	1	1	1	1	1	1
-	Adjustment fork	1	1	1	1	1	1	1

**Chamber with bearing**

Type	Kit No		
	MTR 32	MTR 45	MTR 64
SIC/SIC	98497462	98497485	98497500

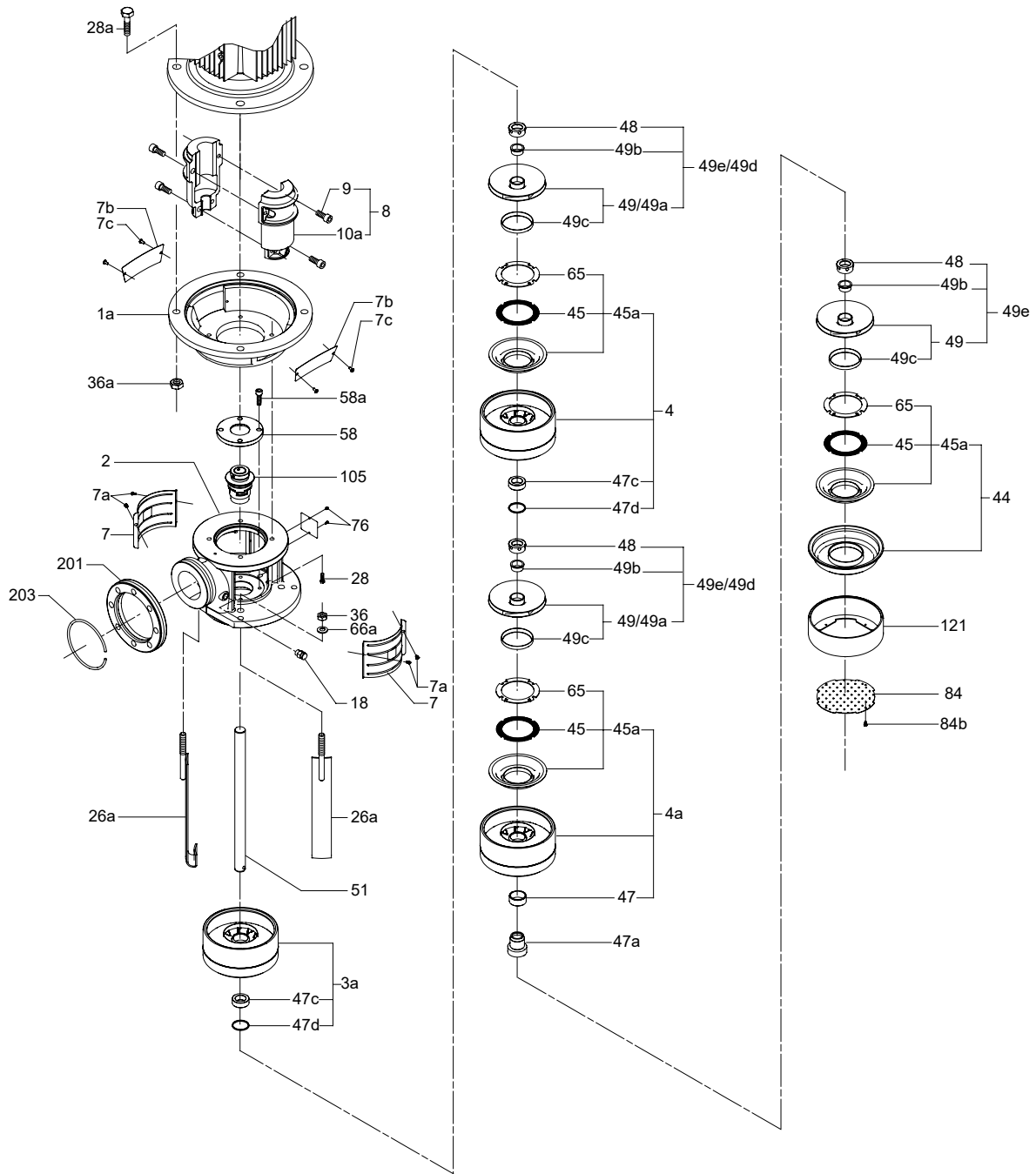
**Content**

Pos.	Description	Quantity
4a	Chamber cpl.	1
47a	Rotating bearing	1

**Coupling complete**

Pos.	Motor/pump shaft diameter [mm]	24/22	28/22	38/22	42/22	48/22	55/22	28.6/22	34.9/22	41.2/22
	Kit No	96430829	96430830	96430831	96430832	96430833	96430834	96430835	96430836	96430837
8	Coupling	1	1	1	1	1	1	1	1	1

MTR 32, 45, 64, 90, model B



TW014626

**MTR 32, 45, 64, model C with drainage back to tank****Shaft seal**

Pos.	Kit No	94541768	94541746	94525490	94536727	94533367	94533369	94558309
	Description	HUUV	HQQE	HQQV	HUUE	HUUK	HQQK	HUQE
105	Shaft seal	1	1	1	1	1	1	1
183	Lip seal	1	1	1	1	1	1	1
100	Seal washer	3	3	3	3	3	3	3
25	Plug	1	1	1	1	1	1	1
-	Adjusting fork	1	1	1	1	1	1	1

**Wear parts, MTR 32**

Pos.	Kit No	98628296	98628298	98628337	98629661	98629668	98629669	98629682	98629683	98629684
	Number of chambers	1-4	5-8	9-12	5-8	9-14	9-14	15-18	15-18	15-18
	Number of impellers	1-4	1-3	1-3	5-8	4-8	9-14	1-3	4-8	9-14
45	Seal ring	4	4	4	8	8	14	4	8	14
47c	Bush	3	3	3	6	6	9	3	6	9
47d	Lock ring	4	4	4	8	8	14	4	8	14
49c	Wear ring	4	4	4	8	8	14	4	8	14
65	Top for neck ring	4	4	4	8	8	14	4	8	14
37	O-ring	4	8	14	4	11	6	6	15	10
-	Adjustment fork	1	1	1	1	1	1	1	1	1

**Wear parts, MTR 45**

Pos.	Kit No	98629686	98629689	98629690	98629716	98629718	98629719	98629732
	Number of chambers	1-4	5-8	9-12	5-8	9-12	13-17	13-17
	Number of impellers	1-4	1-3	1-3	4-8	4-8	1-3	4-8
45	Seal ring	4	4	4	8	8	4	8
47c	Bush	3	3	3	6	6	3	6
47d	Lock ring	4	4	4	8	8	4	8
49c	Wear ring	4	4	4	8	8	4	8
65	Top for neck ring	4	4	4	8	8	4	8
37	O-ring	4	8	12	5	9	13	13
64a	Spacer	1	1	1	1	1	1	1
-	Adjustment fork	1	1	1	1	1	1	1

**Wear parts, MTR 64**

Pos.	Kit No	98629735	98629736	98629738	98629739	98629740	98629741	98629743
	Number of chambers	1-4	5-8	9-12	5-8	9-12	13-17	13-17
	Number of impellers	1-4	1-3	1-3	4-5	4-5	1-3	4-5
45	Seal ring	4	4	4	5	5	4	5
47c	Bush	3	3	3	3	4	3	3
47d	Lock ring	4	4	4	5	5	4	5
49c	Wear ring	4	4	4	5	5	4	5
65	Top for neck ring	4	4	4	5	5	4	5
37	O-ring	4	8	8	5	8	8	8
64a	Spacer	1	1	1	1	1	1	1
-	Adjustment fork	1	1	1	1	1	1	1

**Chamber with bearing**

Type	Kit No		
	MTR 32	MTR 45	MTR 64
SIC/SIC	98497462	98497485	98497500

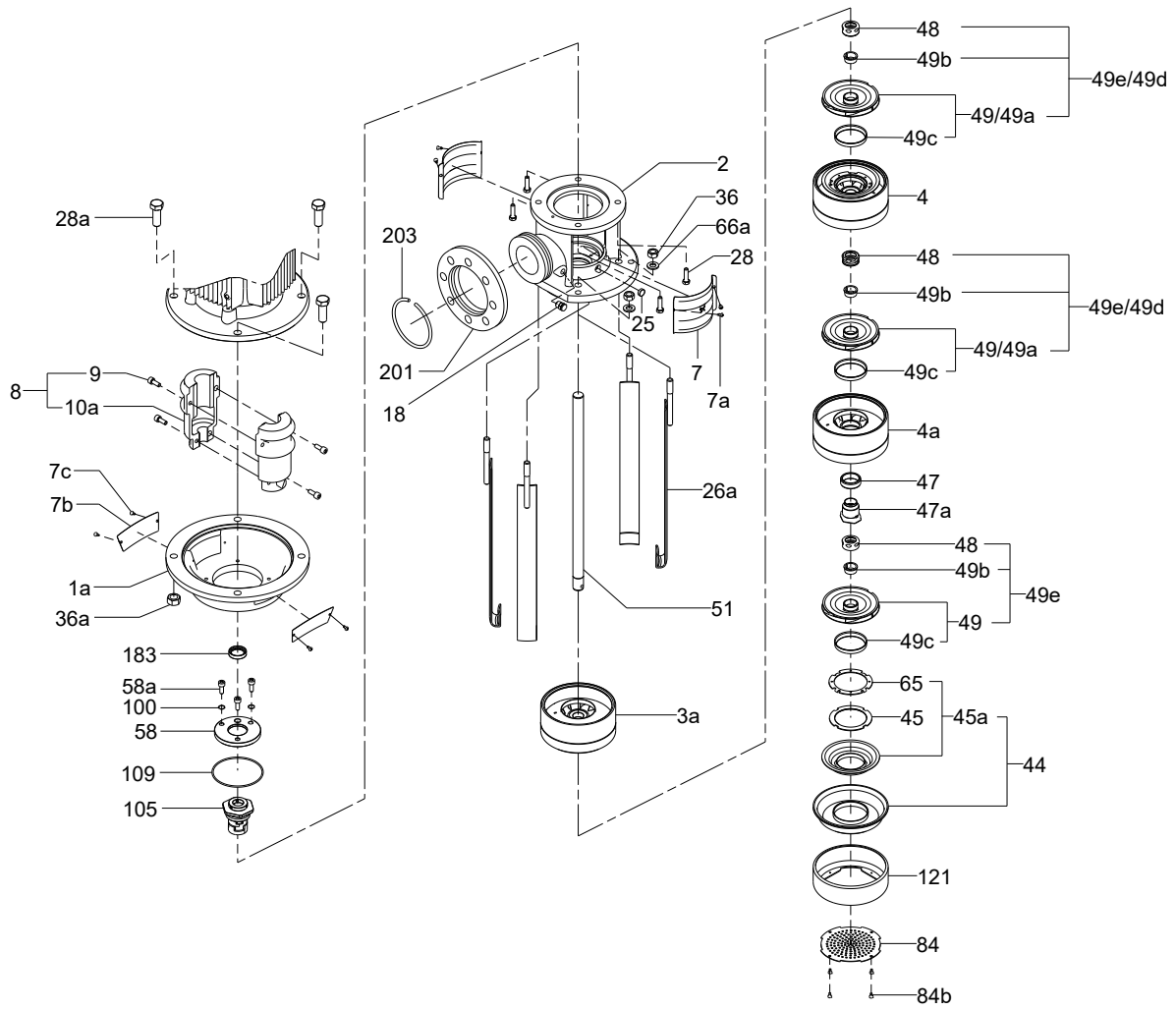
**Content**

Pos.	Description	Quantity
4a	Chamber cpl.	1
47a	Rotating bearing	1

**Coupling complete**

Pos.	Motor/pump shaft diameter [mm]	24/22	28/22	38/22	42/22	48/22	55/22	28.6/22	34.9/22	41.2/22
	Kit No	96430829	96430830	96430831	96430832	96430833	96430834	96430835	96430836	96430837
8	Coupling	1	1	1	1	1	1	1	1	1

MTR 32, 45, 64, model C with drainage back to tank



TM081174

96488862 06.2022

**GRUNDFOS Holding A/S**  
Poul Due Jensens Vej 7  
DK-8850 Bjerringbro  
Tel: +45 87 50 14 00  
[www.grundfos.com](http://www.grundfos.com)

**GRUNDFOS** 